



TRISKELION™



USER MANUAL

Standards



2797

Compliant with European Regulation (EU) 2016/425

CEN/TS 16415:2013 Type B for 2 Person Use and

EN 795:2012 Type B For Single Person Use

NFPA 1983 (2017 ED)

General Use

EN
FR
DE
IT
ES
NO
SE



Find the latest version of this Manual, available translations, and the EU Declaration of Conformity at cmcpro.com

CMC CUSTOMER SUPPORT

UNITED STATES

Phone: 800-235-5741 Fax: 800-235-8951

INTERNATIONAL

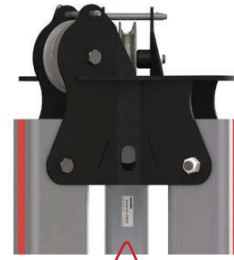
Phone: 805-562-9120 Fax: 805-562-9870

E-MAIL: info@cmcpro.com

WEBSITE: cmcpro.com

MAILING ADDRESS:

6740 Cortona Drive, Goleta, CA 93117 USA



Triskelion Serial Number: _____

RESPONSIBILITY

Activities involving the use of this device are inherently dangerous. The User shall assume all risks and responsibilities for any damage, injury or death, which may occur during or following the incorrect use of this equipment. This document must be provided to the User by the retailer in the respective country's language and must be kept with the equipment while it is in use. Observe relevant national regulations.

These instructions explain the correct use of your equipment. The warning symbols inform you of some potential dangers related to the use of your equipment, but it is impossible to describe them all. You are responsible for heeding each warning and using your equipment correctly. Any misuse of this equipment will create additional dangers. Contact CMC if you have any questions or difficulty understanding these instructions. Check cmcpro.com for updates and additional information.

Before using this equipment, you must:

- Read and understand these instructions and warnings.
- Obtain specific training and competency in its proper use.
- Familiarize yourself with its capabilities and limitations.
- Understand and accept the risks involved.
- Have a rescue plan in place to deal with any emergencies that could arise during use of the device.
- Be medically fit for these activities.
- Be capable of controlling your own security and emergency situations.

Check equipment before and after use.

CMC WARRANTY STATEMENT

If your CMC product has a defect due to workmanship or materials, please contact CMC Customer Support for warranty information and service. CMC's warranty does not cover damages caused by improper care, improper use, alterations and modifications, accidental damage or the natural breakdown of material over extended use and time. All repair work shall be performed by CMC or a trained, authorized Service Agent. All other work or modifications void the warranty and releases CMC and the manufacturer from all liability and responsibility. CMC encourages users to maintain an inspection record to document relevant information as suggested in the table at the end of this manual.

CE Compliance Information

CE Certifying Organization
BSI Group The Netherlands B.V. (NB 2797)
Say Building, John M Keynesplein 9
1066 EP, Amsterdam, Netherlands

Compliant with European Regulation (EU) 2016/425
CEN/TS 16415:2013 Type B for 2 Person Use and
EN 795:2012 Type B for Single Person Use



Ferno Australia Pty Ltd
11 Johnstone Road
Brendale, Queensland 4500, Australia
+61 7 3881 4999 / info@ferno.com.au
00510-V3 / NOV 2020



Ferno-Washington Italia S.r.l.
via B. Zallone, n. 26, 40066
Pieve di Cento, Bologna, Italy
+39.051.6860028 234-3468-01

SAFETY INFORMATION

WARNING

Warning safety alerts indicate a potentially hazardous situation that, if not avoided, could result in injury or death.

NOTICE

Notices emphasize important, but not hazard-related information. Failure to follow Notices could result in product or property damage.

GLOSSARY

Competent Person

A person designated by their employer who through training and knowledge, is capable of identifying defects, evaluating and addressing existing and potential hazards, and who has authority to take corrective action with regards to such hazards.

Hobble Strap

Used to hobble the legs of a tripod together to prevent the legs from spreading apart.

Main Line

The primary line supporting the load.

MBS

Minimum Breaking Strength

NFPA

National Fire Protection Association

Portable Anchor

A manufactured device with rigid legs designed to support human loads. Also known as a tripod or an artificial high directional (AHD).

PPE

Personal Protective Equipment

Resultant Force

The single linear directional force equal to the sum of all forces applied to an object.

Safety / Belay / Backup Line

A secondary rope or system used to support the load should the Main Line fail.

WLL

Working Load Limit - determined by dividing the minimum breaking strength (MBS) by a designated factor of safety.

Tether Line

A line used to prevent an object from falling over an edge.

TRACEABILITY & MARKINGS

Leg Markings and Labels



Pulley over Leg



Serial Number Label provides the product's unique identification number and date of manufacture.

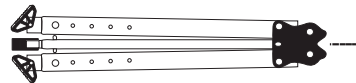


Numeric Labels on each leg provides a visual representation of the height setting of each leg.



Certification Label provides a quick reference to the Testing Standards, Minimum Breaking Strengths and the Manufacturer's details.

Carry Bag Marking



Store the Triskelion in the Carry Bag, with head facing in the same direction as illustrated.

ABOUT THE CMC TRISKELION

FEATURES

1. One-piece fabricated steel head
2. Two stainless steel pulleys to redirect rope or cables up to 13 mm diameter
3. Three tie-off points for rigging or stabilization
4. Three side-plate anchor points
5. Rectangular, adjustable legs with quick-action ball lock leg pins
6. Pivoting feet with aggressive non-slip tread and integrated spike
7. Adjustable Hobble Strap with Cobra Quick Release buckle (not illustrated)
8. Carry Bag (not illustrated)



SPECIFICATIONS

DESIGNATION	Tripod for securing one, or two persons simultaneously, for access or work in confined spaces where a fall from height may occur. Not intended for lifting equipment.	
WEIGHT	32 kg (70 lb) Tripod only	
LEG HOLE SPACING	100 mm (3.94")	
	MINIMUM HEIGHT	MAXIMUM HEIGHT
WORKING HEIGHT to underside of head	1700 mm (67") *	3050 mm (120") *
OVERALL HEIGHT	1930 mm (76") *	3270 mm (128.7") *
FOOT PRINT Inside Ø of feet	1580 mm (62.2") *	2820 mm (111") *
Outside Ø of feet	1930 mm (76") *	3170 mm (124.8") *
WLL[†] (attached direct to head)	360 kg (792 lb*)	
WLL[†] (attached to leg over pulley)	220 kg (484 lb*)	
MBS (attached direct to head)	36kN	
MBS (attached to leg over pulley)	22kN	
MATERIALS	Tripod:	Steel, aluminum and stainless steel
	Foot Tread:	Thermoplastic Elastomer
	Leg Stoppers:	Polyurethane
	Pulley Spacers:	Acetal
IN THE BOX	1 x Triskelion 1 x Hobble Strap 1 x Carry Bag 1 x User Manual	

* Dimensions and weights are approximate only

† The nominated working load limits are recommended by the manufacturer and calculated by a safety factor of 10:1 to the MBS. Users should determine an appropriate safety ratio that is within their applicable regulations and local protocols.

INSTRUCTIONS FOR USE

GENERAL SAFETY INSTRUCTIONS

1. The Triskelion and associated hardware must always be tethered to prevent it from falling over edges.
2. The Triskelion may become unstable or topple if used without an assessment of the resultant force and direction. Additional rigging may be required to ensure complete stabilization.
3. Ensure the User is in good physical and mental health, and is trained and competent in the use of the Triskelion. The User should have all relevant PPE for the job prior to starting any work at height. PPE may include, but is not limited to, a harness, shock-absorbing lanyard, helmet, gloves and appropriate footwear.
4. A rescue plan is mandatory when working at height or in a confined space. Ensure the whole team is familiar with the rescue plan and their roles.
5. Do not modify or tamper with the Triskelion in any way. Doing so will void the Warranty.
6. The Triskelion may only be repaired or serviced by CMC or a trained, authorized Service Agent.
7. When the Triskelion is used as part of a fall arrest system, the User must be equipped with a means of limiting the maximum dynamic forces exerted to themselves during the arrest of a fall to a maximum of 6kN (1350 lbf).
8. A shock-absorbing lanyard assembly should be secured to an anchorage point which is at a level that will result in the minimum free fall and the least total fall distance consistent with the wearer's ability to carry out work tasks.
9. When making a connection to any point on a harness which cannot be seen by the wearer of the harness, the connection should either be made before putting the harness on, or it should be connected or checked for security by a competent person.
10. To avoid a pendulum effect during a fall, the maximum angle from the anchor point at the top of the Triskelion must not exceed 15° either side of the center of the anchor point.
11. For safety, the Triskelion should be carried and set up by two or more people.
12. If any part of an assembly is to be exposed to chemicals such as caustic materials or hazardous atmospheres, the User should consult CMC or the manufacturer to determine whether the part is suitable for continued use.



WARNING

- The User assumes all responsibility for any non-standard use of the device or the components being used with the device.
- Danger may arise and functionality may be compromised by combining other items of equipment in conjunction with the Triskelion during use.
- Do not use the Triskelion if any parts are missing or have not been properly maintained.

NOTICE

Operating in, or exposing the Triskelion to extreme temperatures, caustic chemicals, hazardous environments or excessively rough handling or treatment may cause damage to the device.

COMPATIBLE PRODUCTS

The use of the Triskelion is limited to combinations of approved and registered components only. Examples include:

1. Equipment certified to EN, NFPA, and other industry standards.
2. Approved and tested components by CMC.

Other combinations and components not meeting these standards should not be used as they may compromise the safe operation of the system.

Further information regarding portable anchors can be found in NFPA 1500, NFPA 1858 and NFPA 1983.

INSTRUCTIONS FOR USE

BEFORE EACH USE

User Inspection

The Triskelion should be inspected by a competent person before and after each use to ensure it functions correctly and all components are free of damage. The User should also refer to the User Manual as required. A Pre-Use Inspection Checklist is provided as a guide, which may be used in conjunction with your approved agency protocols.

Refer any signs of deterioration to an authorized person for a decision on the safety and serviceability of the Triskelion.
If in doubt, tag it out!

For periodic inspections, refer to the Inspections section on page 13.

WARNING

Do not assemble the Triskelion over an open hole. Erect the Triskelion away from voids and edges, then move it to the required location once the Triskelion legs have been extended and locked into place.

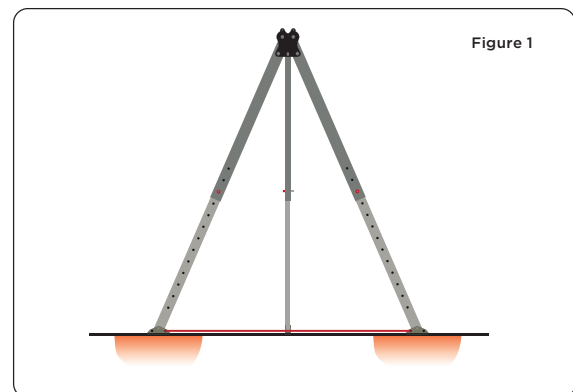
Pre-Use Inspection Checklist	
Do the legs fit together and extend smoothly?	
Are the legs bent, cracked or deformed?	
Are all fasteners (eg. bolts, pins) present and securely tightened?	
Is retaining hardware on pins present and in good condition?	
Are the pins in good condition and functioning correctly?	
Are the pulleys in good condition and functioning correctly?	
Do any plastic parts show signs of wear or chemical damage?	
Are the feet and lashing holes showing signs of deformation, damage or sharp edges?	
Is the adjustable Hobbble Strap present and in good condition?	

SETTING UP THE TRISKELION

For safety, the Triskelion should be carried and set up by at least two or more people.

1. Check the Surface

- Make sure the substrate or floor below the Triskelion feet can sustain the anticipated loads (Figure 1).
- Beware of soft ground and unsupported floors. Manage these accordingly.
- The Triskelion has pivoting feet with spiked tips and rubberized soles to adapt to different surfaces.
- Use the Hobbble Strap to prevent the legs from spreading apart.
- Ground Stakes are available as an optional accessory if individual feet require additional stabilization (refer to page 15).

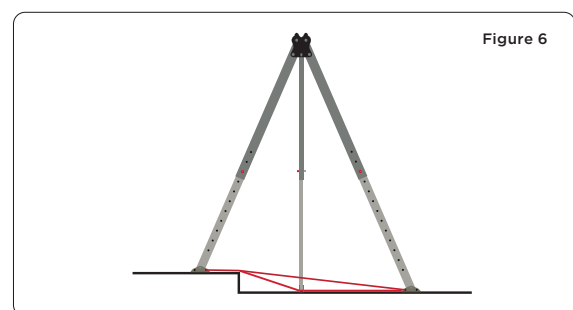
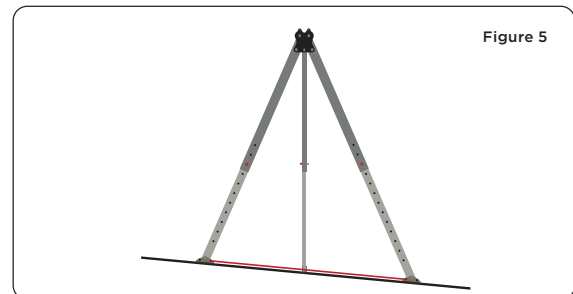
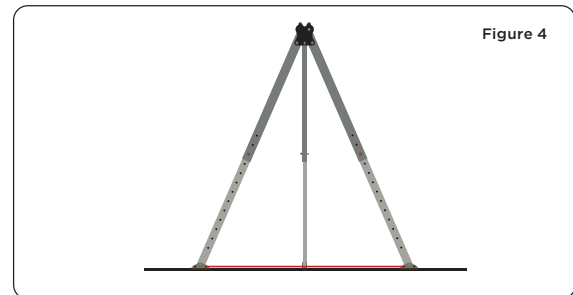
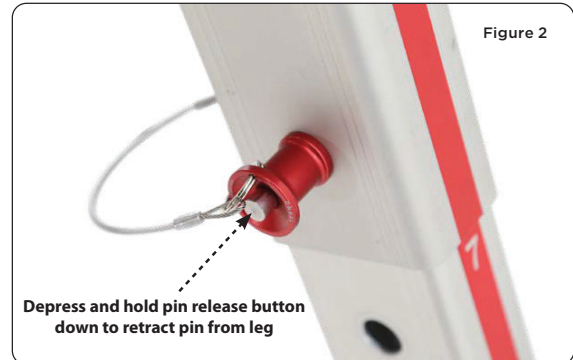


INSTRUCTIONS FOR USE

SETTING UP THE TRISKELION (CONTINUED)

2. Assemble the Triskelion

- Stand the Triskelion upright and extend individual legs to proper height. To extend legs:
 - a. Depress the pin release button at the head of the pin and remove it from the leg (Figure 2).
 - b. Extend or retract legs to achieve the desired height. Once height is achieved, align holes and re-insert leg pins.
- Double check all leg pins are locked in place, and the Triskelion is at the correct height.
- Move the Triskelion to the desired location and splay legs over area to required spread width.
- Thread the Hobble Strap through each Triskelion foot, then clip the two halves together (Figure 3). Tighten the loose end to remove any slack in the strap. This prevents the legs from splaying outwards.



WARNING

Adjusting legs can be a pinch point hazard. Hold the upper leg section rather than the lower leg, and keep fingers out of leg holes.

3. Keep the Triskelion head level

- On flat surfaces all the legs will be the same length.
- On uneven surfaces the legs can be different lengths.
- Adjust the length of one or more legs so the Triskelion head is level and directly over the opening or work area.

Figure 4: Flat surface

Figure 5: Sloping surface

Figure 6: Floor of different heights

INSTRUCTIONS FOR USE

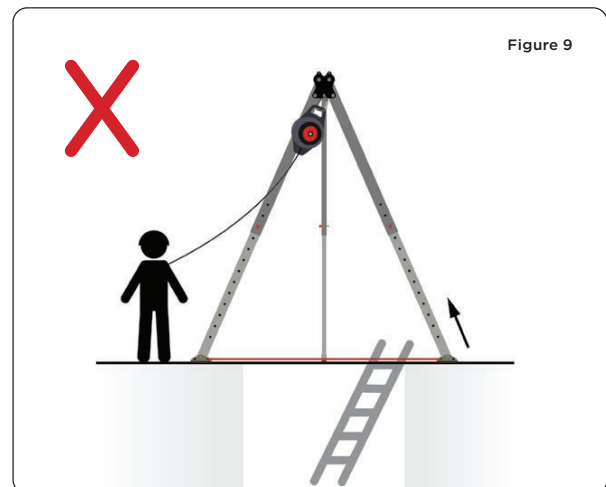
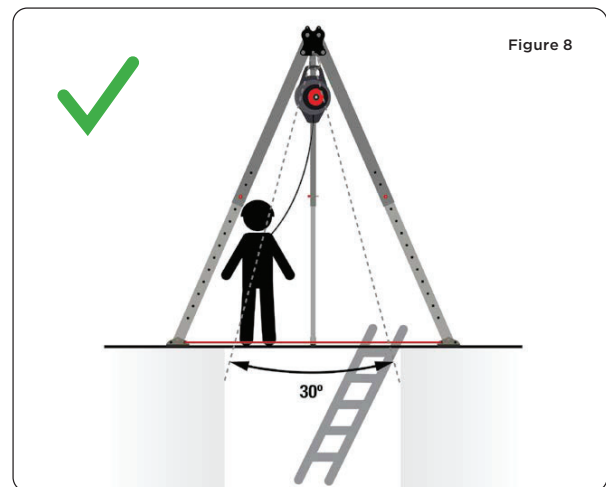
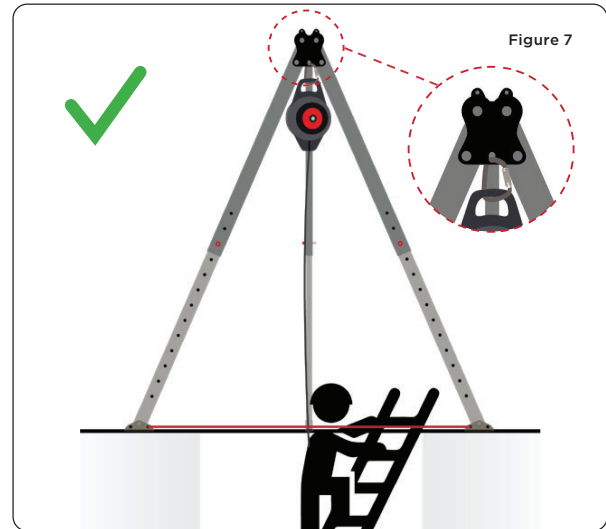
TRISKELION AS A HIGH ANCHOR

Example: With a self-retracting lifeline

- Attach the self-retracting lifeline to an anchor point on the Triskelion head (Figure 7 and 8).
- Keep the load within the Triskelion legs (Figure 7 and 8).
- Do not operate a load outside of the Triskelion legs (Figure 9).

WARNING

- Operating outside of the Triskelion legs can create a sideways swing and topple the tripod. Keep the load within the legs.
- For safety, verify there is adequate distance and clear space below the area of operation so that in the event of a fall, the User will not come in contact with the ground or other obstacles.



INSTRUCTIONS FOR USE


ATTACHING ACCESSORIES TO LEGS

Approved accessories which are designed to be attached to the Triskelion leg have specific areas where they may be installed. Refer to instructions for individual accessories to determine where each may be attached.

Attaching the Triskelion-LokHead Winch Adapter

The Triskelion-LokHead Winch Adapter is an optional accessory and is designed to enable the Harken LokHead Winch to be mounted to and operated with the Triskelion (refer to page 15).

To attach the winch and winch adapter:

- Determine where the LokHead Winch will be positioned on the Triskelion leg (Figure 10).
 - Ensure a leg with a pulley is selected. These legs are marked with a Pulley over Leg symbol  on the red leg labels.
 - Determine if the LokHead Winch handle is to be oriented on the left or right side, and on the inside or outside of the leg.
- Remove the two red pins from the adapter and position it on the leg, aligning the pin holes in the adapter with corresponding holes in the Triskelion leg. Re-insert the red pins to secure the adapter in place.
 - If attaching the adapter to the upper leg, the spacer is not required and should be removed before securing the adapter to the leg (Figure 11).
 - If attaching the adapter to the upper holes of the lower leg, the spacer is required to create a snug fit and should be fixed in place before the adapter is secured to the leg (Figure 11).

To fit the spacer, orientate the two holes in the spacer with the pin holes in the adapter. Insert the spacer from the adapter's underside. Fit the slider tongues through the wider part of the rectangular slots, then slide it across to the opposite side until the spacer engages with an audible click.
- Remove the silver lock pin from the winch adapter, then insert the LokHead Winch into the adapter slot, ensuring cutout **A** in the winch plate fits around the welded pin **B** inside the adapter slot (Figure 12).
- Re-insert the silver lock pin, using the lower of the two available holes to secure the winch to the adapter (Figure 12).

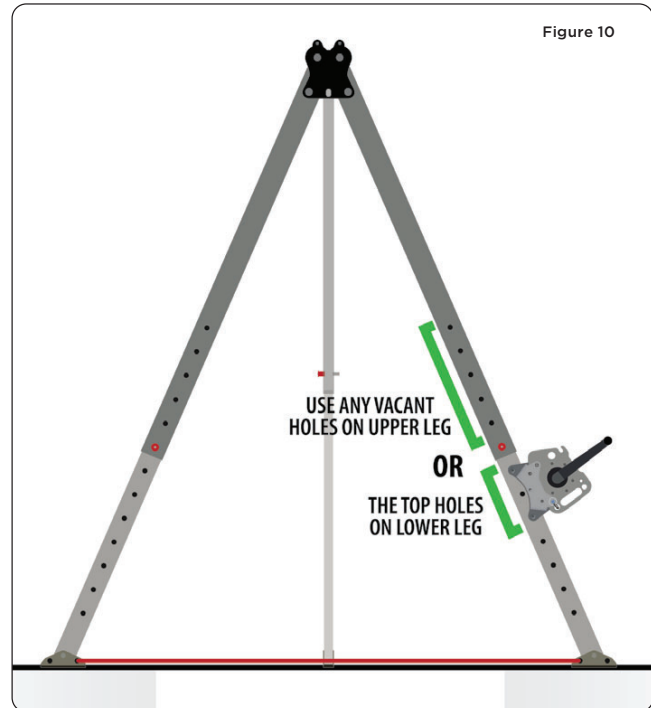


Figure 10

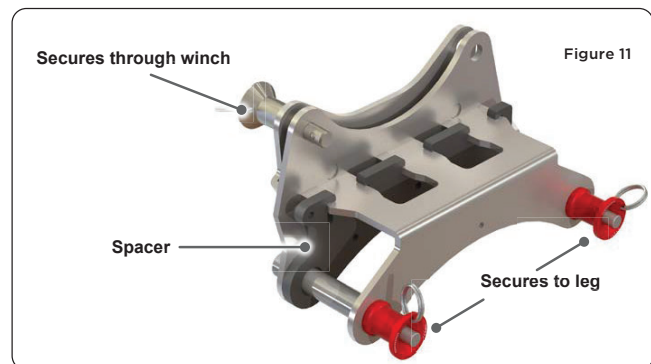


Figure 11

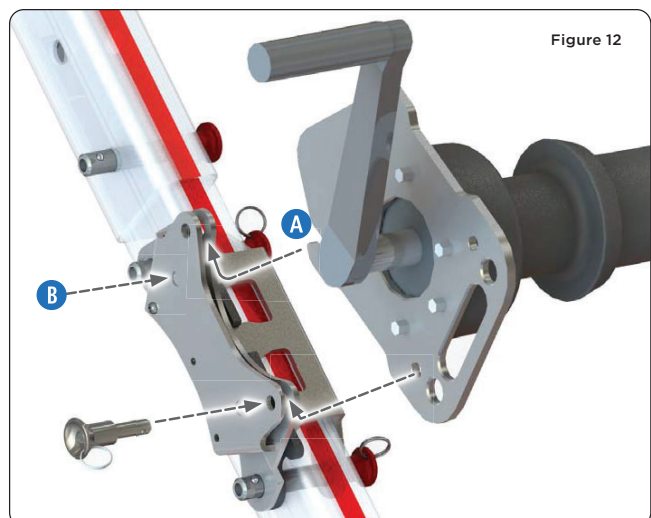



Figure 12

INSTRUCTIONS FOR USE

Attaching the Triskelion-Salalift II Winch Adapter

The Triskelion-Salalift II Winch Adapter is an optional accessory and is designed to enable the 3M DBI/SALA Salalift II Winch to be mounted to and used with the Triskelion (refer to page 15).

To attach the winch and winch adapter:

1. Attach the adaptor to the lower Triskelion leg using the top two holes nearest the upper leg (Figure 13).
 - Ensure a leg with a pulley is selected. These legs are marked with a Pulley over Leg symbol  on the red leg labels.
2. Remove the two red pins from the adapter and position it on the leg, aligning the pin holes in the adapter with corresponding holes in the Triskelion leg. Re-insert the red pins to secure the adapter in place (Figure 14).
3. Remove the lock pin from the device, then fit the Winch over the adapter bracket ensuring cutout **A** in the winch plate fits around the welded pin **B** on the adapter (Figure 15).
4. Re-insert the lock pin to secure the winch to the adapter (Figure 16).

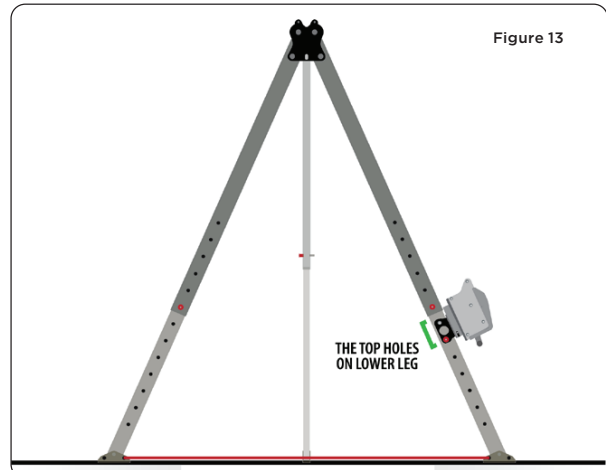


Figure 13



Figure 14

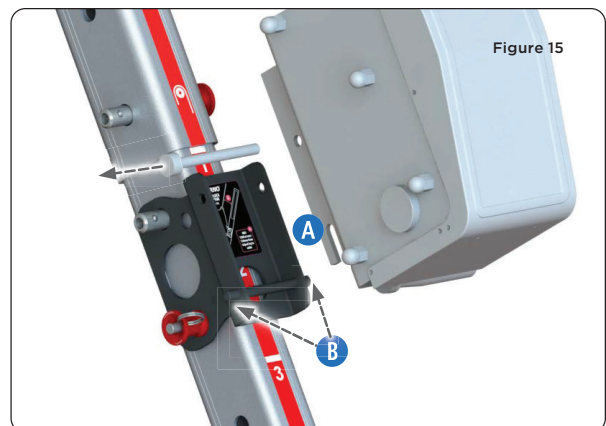


Figure 15

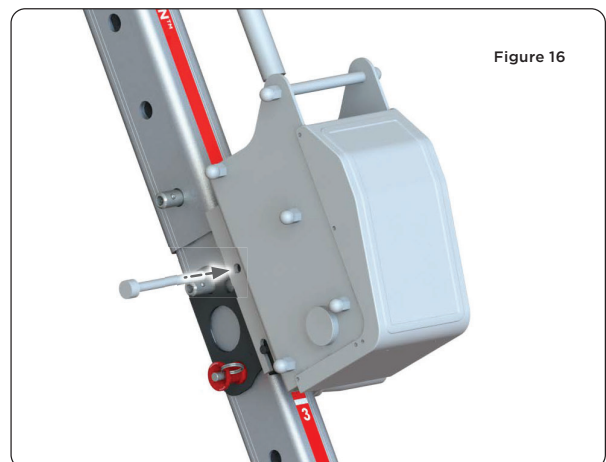


Figure 16

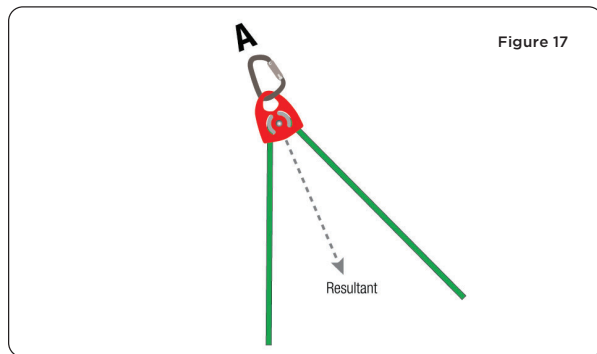
INSTRUCTIONS FOR USE

TRISKELION AS A CHANGE OF DIRECTION

To use the Triskelion as a change of direction:

- Use the integrated pulleys in the Triskelion head OR
- Attach a pulley to an anchor point on the Triskelion head.

The resultant force bisects the rope/cable coming into and out of a pulley (Figure 17).



The resultant force (indicated by the dashed line) must be kept within the triangle formed by the feet when there is no stabilization rigging[‡] as it can topple the Triskelion.

This is achieved by keeping the haul line parallel with the legs and inside of the Hobble Strap.

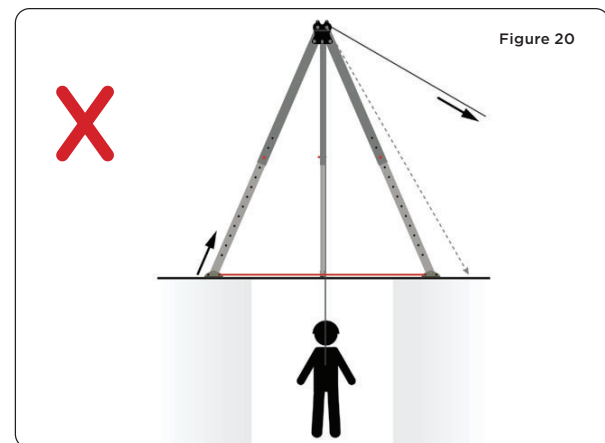
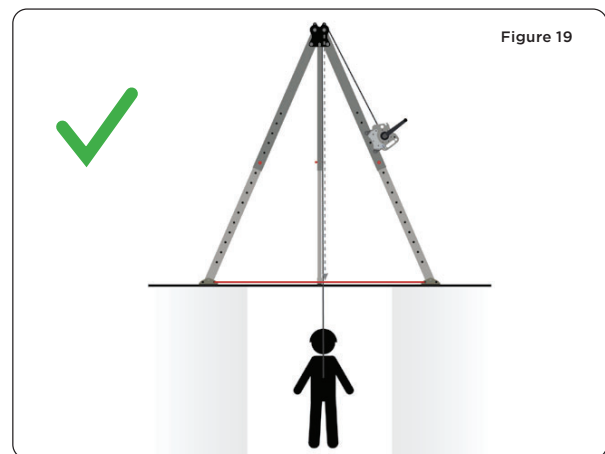
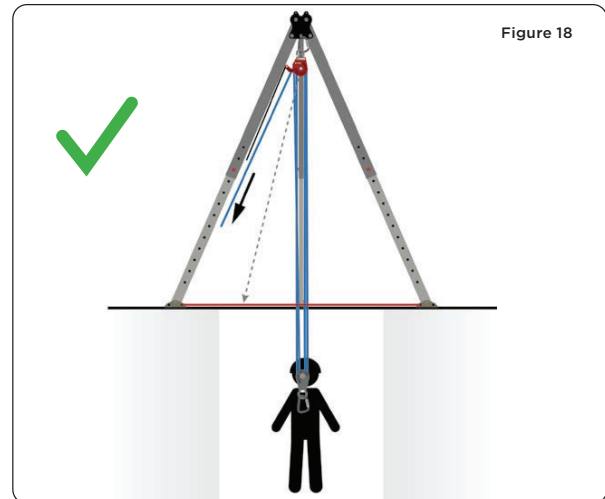
Safety / Belay / Backup Line omitted from Figures 18, 19 and 20 for clarity.

Figure 18: Progress capture pulley system

Figure 19: Winch

Figure 20: Pulling away from the legs **without** stabilization rigging

[‡] There are three stabilization attachment points on the Triskelion head for advanced users. Stabilization rigging is not covered in this manual.



INSTRUCTIONS FOR USE

TWO POINTS OF CONTACT

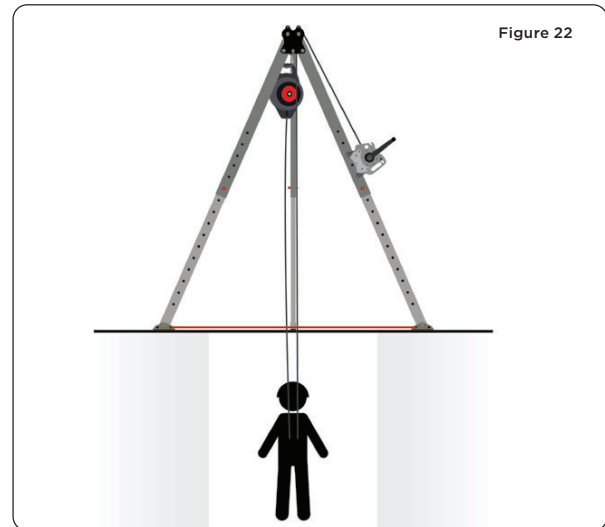
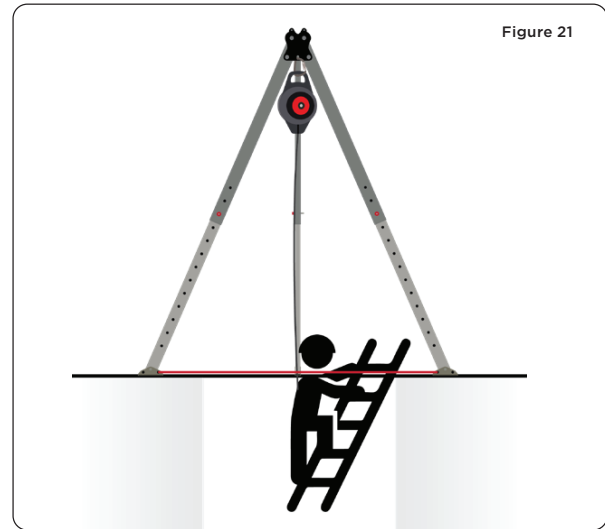
Two points of contact with the User is needed for height safety:

1. A primary means of support and
2. A backup system.

Options for the primary means of support include a ladder, winch or pulley system.

A backup system is used if the primary means of support fails. Examples of a backup system include a self-retracting lifeline or winch.

- **Figure 21:**
Primary: Ladder
Backup: Self-retracting Lifeline
- **Figure 22:**
Primary: Winch
Backup: Self-retracting Lifeline



INSPECTIONS

To maintain the safety and serviceability of this product, regular inspections must be performed.

User Inspection

Each User should be trained in the safe use and inspection of the Triskelion. The Triskelion should be inspected by a competent person before and after each use to ensure it functions correctly and that all components are safe to use.

A Pre-Use Inspection Checklist is provided as a guide on page 6 of this manual. It may be used in conjunction with your approved organization protocols.

Refer any signs of deterioration to a competent, authorized person for a decision on the safety and serviceability of the product. **If in doubt, tag it out!**

Periodic Inspections

- A periodic inspection should be conducted every 6 months and at least yearly by a competent person. Inspection frequencies can be increased depending on how often the device is used, environmental conditions, legislation and/or organizational protocols. A Periodic Inspection Checklist is provided on page 14.
- If any part of the system is to be exposed to harsh chemicals or hazardous atmospheres, the User should consult with CMC or the manufacturer to determine whether the part is suitable for continued use.
- Periodic inspections should be recorded in the product's Inspection and Maintenance Log. A sample log is provided on page 15.
- It is recommended to tag the device with the date of its next inspection.

WARNING

- Remove the Triskelion from service if it has been used to arrest a fall, or if you have any doubt about the Triskelion's condition for safe use. Do not use it again until it has been inspected by CMC or an appropriately trained, authorized person and written confirmation is provided.
- The Triskelion has been engineered and tested using the original components as supplied. Never replace pins, bolts or other supplied components with non-genuine parts.

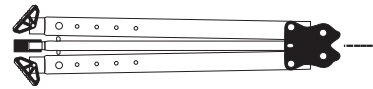
MAINTENANCE

Cleaning the Triskelion

1. Wash the Triskelion with warm water and a soft detergent.
2. Rinse with clean water.
3. Air-dry the unpacked Triskelion in a dry, shaded and well-ventilated area. Do not use additional heat sources or blowers to dry the Triskelion.
4. Avoid contact with chemicals, oils, solvents and other aggressive corrosive materials or agents.
5. Once the Triskelion is dry, store it in the Carry Bag.

STORAGE

The Carry Bag is designed for optimal balance when carrying the Triskelion. To ensure proper balance, position the Triskelion head according to the placement graphic located on the inside of the bag.



Store the Triskelion in the Carry Bag in a clean, dry area away from direct sunlight, chemicals and corrosive elements.

TRANSPORT

To avoid damage during transport, the Triskelion should be packed in its bag or an appropriate container or box.

SERVICING & PARTS

Repair work on the Triskelion may only be carried out by CMC or a trained, authorized Service Agent. Any other repair work or modifications to the product will void its warranty.

For service or repairs, please contact your local CMC Distributor or CMC Customer Support.

Spare Parts

The spare parts listed below may be replaced by the User or Product Owner. All other parts must be fitted by CMC or a trained, authorized Service Agent.

PART #	DESCRIPTION
760002	Carry Bag
760003	Tripod Leg Label
760004	Triskelion Foot
760005	Hobble Strap
760006	Ball Lock Leg Pin
760007	Pulley Detent Pin
760008	Lanyard
760009	Leg Strap
760013	Winch Adapter Spacer

PERIODIC INSPECTION CHECKLIST

	INSPECTION	ACTION IF DAMAGED
LEGS and LEG PINS	Any damage such as cracks, dents or gouging?	Remove from service for further inspection and replacement.
	Do leg sections extend and retract smoothly?	
	Do leg pin holes show obvious damage, gouging, elongation or deep indentations on the pin area?	Remove from service if deep indents greater than 0.02" / 0.5mm are present.
	Do leg pins operate smoothly? Do the ball locks release when the button is depressed?	Replace pins if not operating smoothly.
	Inspect the lanyard attaching leg pins to the legs for damage.	Replace the lanyard if damaged.
	Do the leg stoppers prevent the inner leg tube from separating completely from the outer tube?	Remove from service for repair if damaged.
	Is the serial number label present and legible?	Contact CMC Customer Service if serial numbers are not legible.
	Is the leg label with load rating information present and legible?	Replace if illegible.
HEAD	Is the head securely attached to the Triskelion legs? Are all fasteners present and tightened?	Remove from service for further inspection if loose.
	Inspect entire head for damage and indentations. Normal wear and tear is acceptable.	Return to CMC or a trained, authorized Service Agent for repair or replacement if obvious damage is present.
	Do the pulleys rotate freely with no binding or resistance on the pulley bearings?	Do not use if damaged.
	Inspect the grooves of the pulley. Is there damage or sharp edges within the sheave?	
	Are the detent pins secured to the head? Do they operate and insert easily into the holes?	Replace the detent pin if missing or damaged.
	Do detent pins show signs of rust or damage?	Lubricate with a Teflon-based spray lubricant if pins are rusting.
FEET	Inspect the feet and lashing holes for deformation, damage and sharp edges.	Replace the foot if it is damaged.
	Is the rubber tread showing signs of damage?	
HOBBLE STRAP	Are there signs of cuts or tears in the webbing, abrasion damage, excessive stretching, deterioration due to rotting, mildew or ultraviolet exposure?	Replace if damaged.
	Is webbing stitching broken or cut? Are there any worn threads or damaged / weakened threads due to contact with heat, corrosives, solvents or mildew?	
	Is the buckle distorted, cracked or physically damaged?	

TRISKELION ACCESSORIES



FOOT STEP KIT (2 Steps)

The Foot Step mounts to the lower section of the Triskelion leg. It is an aid that enables the operator to reach the Triskelion head to adjust rigging after setup.

Part # 760015



GROUND STAKE KIT (3 Stakes)

The Ground Stake is designed to secure the Triskelion foot. It is ideal for soft-ground applications such as grass.

Part # 760016



TRISKELION- LOKHEAD WINCH ADAPTER

The adapter enables the Harken LokHead Winch to be mounted and used with the Triskelion.

Part # 760012



TRISKELION- SALALIFT II WINCH ADAPTER

The adapter enables the 3M DBI/SALA Salalift II Winch to be mounted and used with the Triskelion.

Part # 760014

SAMPLE INSPECTION & MAINTENANCE LOG

SUPPLIER DETAILS				
DESIGNATION				
MODEL/ITEM #		MANUFACTURE DATE		
SERIAL #		PURCHASE DATE		
COMMISSIONED DATE		AGENCY / UNIT		
DATE	INSPECTION OR MAINTENANCE & ACTION TAKEN	PARTS REPLACED	SIGNATURE	NEXT INSPECTION

FRANÇAIS

RESPONSABILITÉ

Les activités inhérentes à l'utilisation de cet appareil sont intrinsèquement dangereuses. L'utilisateur assume tous les risques et responsabilités pour tout dommage, blessure ou mort, qui pourrait survenir pendant ou à la suite d'une mauvaise utilisation de cet équipement. Ce document doit être fourni à l'utilisateur par le revendeur dans la langue du pays concerné et doit être conservé avec l'équipement pendant son utilisation. Respectez les réglementations nationales en vigueur.

Ces instructions expliquent l'utilisation correcte de votre équipement. Les symboles d'avertissement vous informent de certains dangers potentiels liés à l'utilisation de votre équipement, mais il est impossible de tous les décrire. Vous êtes responsable de tenir compte de chaque avertissement et d'utiliser correctement votre équipement. Toute mauvaise utilisation de cet équipement créera des dangers supplémentaires. Contactez CMC si vous avez des questions ou si vous avez des difficultés à comprendre ces instructions. Consultez notre site : cmcpro.com pour obtenir des mises à jour et des informations supplémentaires.

Avant d'utiliser cet équipement, vous devez:

- Lire et comprendre ces instructions et avertissements.
- Acquérir une formation et des compétences spécifiques pour son utilisation correcte.
- Vous familiariser avec ses capacités et ses limites.
- Comprendre et accepter les risques encourus.
- Avoir un plan de sauvetage préalablement établi afin de faire face à toute urgence qui pourrait survenir lors de l'utilisation de l'appareil.
- Être médicalement apte à ces activités.
- Être capable de contrôler votre propre sécurité et les situations d'urgence.

Vérifiez l'équipement avant et après utilisation.

Voir page 2 pour les informations de conformité CE.

DÉCLARATION DE GARANTIE

Si votre produit CMC présente un défaut de fabrication ou de matériaux, veuillez contacter l'assistance clientèle CMC pour obtenir des informations sur la garantie et le service. La garantie de CMC ne couvre pas les dommages causés par un entretien inapproprié, une utilisation inappropriée, des altérations et des modifications, des dommages accidentels ou la l'usure naturelle du matériel pendant une utilisation et une durée prolongées. Tous les travaux de réparation doivent être effectués par CMC ou un agent d'un service qualifié et reconnu par CMC. Tout autre travail ou modification annule la garantie et dégage CMC et le fabricant de toute engagement et responsabilité. CMC encourage les utilisateurs à conserver un registre d'inspection afin d'avoir un suivi du matériel, comme suggéré dans le tableau à la fin de ce manuel.

INFORMATION SUR LA SÉCURITÉ



AVERTISSEMENT

Les alertes de sécurité indiquent une situation potentiellement dangereuse qui, si elle n'est pas évitée, pourrait entraîner des blessures ou la mort.

AVIS

Les avis mettent l'accent sur des informations importantes, mais pas sur les dangers. Le non-respect des avis peut entraîner des dégradations du matériel ou de biens annexes

GLOSSAIRE

Personne compétente

Une personne désignée par son employeur qui, grâce à la formation et à ses connaissances, est capable d'identifier les défauts, d'évaluer et de traiter les dangers existants et potentiels, et qui a le pouvoir de prendre des mesures correctives à l'égard de ces dangers.

Sangle Hobble

Utilisé pour entraver les jambes d'un trépied pour empêcher les jambes de s'écarter.

Ligne principale

La ligne principale supportant la charge.

MBS (Minimum Breaking Strength)

Force de rupture minimale

NFPA

Association nationale de protection contre les incendies

Ancrage portable

Un appareil fabriqué avec des pieds rigides conçu pour supporter des charges humaines. Aussi connu sous le nom de trépied ou point haut.

EPI

Équipement de protection individuelle

Résultante

Force directionnelle linéaire unique égale à la somme de toutes les forces appliquées à un objet.

Sécurité / Assurance / Ligne de secours

Une corde ou un système secondaire utilisé pour supporter la charge en cas de défaillance de la ligne principale.

WLL (Working Load Limit)

Limite de charge de travail - déterminée en divisant la résistance à la rupture minimale (MBS) par un facteur de

sécurité désigné.

Ligne de Vie

Une ligne utilisée pour empêcher un objet de tomber.

TRAÇABILITÉ ET MARQUAGES

Marquages et étiquettes des pieds

Voir page 3 pour les symboles.

1. Poulie sur les pieds
2. L'étiquette du numéro de série fournit le numéro d'identification unique du produit et la date de fabrication.
3. Les étiquettes numériques sur chaque pied fournissent une représentation visuelle du réglage de la hauteur de chaque jambe.
4. L'étiquette de certification fournit une référence rapide aux normes d'essai, aux résistances minimales à la rupture et aux détails du fabricant.

Marquage du sac de transport

Rangez le Triskelion dans le sac de transport, la tête tournée dans la même direction que celle illustrée.

À PROPOS DU CMC TRISKELION

FONCTIONNALITÉS

1. Tête en acier monobloc
2. Deux poulies en acier inoxydable pour rediriger la corde ou les câbles jusqu'à 13 mm de diamètre
3. Trois points d'arrimage pour le gréement ou la stabilisation
4. Trois points d'ancrage de plaque latérale
5. Pieds rectangulaires réglables avec goupilles de verrouillage à bille à action rapide
6. Pieds pivotants avec bande de roulement antidérapante agressive et crampon intégré
7. Sangle de retenue des pieds réglable avec boucle Cobra Quick Release (non illustrée)
8. Sac de transport (non illustré)

Voir page 4 pour le tableau des spécifications et l'illustration.

MODE D'EMPLOI

INSTRUCTIONS GÉNÉRALES DE SÉCURITÉ

1. Le Triskelion et le matériel associé doivent toujours être attachés pour éviter qu'il ne tombe sur les bords.
2. Le Triskelion peut devenir instable ou basculer s'il est utilisé sans évaluation de la force et de la direction résultantes. Un gréement supplémentaire peut être nécessaire pour assurer une stabilisation complète.
3. Assurez-vous que l'utilisateur est en bonne santé physique et mentale et qu'il est formé et compétent dans l'utilisation du Triskelion. L'utilisateur doit disposer de tous les EPI nécessaires pour le travail avant de commencer tout travail en hauteur. L'EPI peut inclure, mais sans s'y limiter, un harnais, une longe amortissante, un casque, des gants et des chaussures appropriées.
4. Un plan de sauvetage est obligatoire lors de travaux en hauteur ou dans un espace confiné. Assurez-vous que toute l'équipe connaît le plan de sauvetage et ses rôles.
5. Ne modifiez ou n'altérez en aucune façon le Triskelion. Cela annulera la garantie.
6. Le Triskelion ne peut être réparé ou entretenu que par CMC ou un agent de service qualifié et reconnu par CMC.
7. Lorsque le Triskelion est utilisé dans le cadre d'un système antichute, l'utilisateur doit être équipé d'un moyen permettant de limiter les forces dynamiques maximales exercées sur lui-même lors de l'arrêt d'une chute à un maximum de 6 kN (1350 lbf).
8. Une longe amortissante doit être fixée à un point d'ancrage qui se trouve à un niveau qui entraînera la chute libre minimale et la distance de chute la moins totale compatible avec la capacité de l'utilisateur à effectuer des tâches.
9. Lors de la connexion à un point quelconque d'un harnais qui ne peut pas être vu par le porteur du harnais, la connexion doit être soit faite avant de mettre le harnais, soit elle doit être connectée ou vérifiée pour la sécurité par une personne compétente.
10. Pour éviter un effet de pendule lors d'une chute, l'angle maximum depuis le point d'ancrage en haut du Triskelion ne doit pas dépasser 15 ° de part et d'autre du centre du point d'ancrage.
11. Pour des raisons de sécurité, le Triskelion doit être porté et installé par minimum deux personnes.
12. Si une partie d'un assemblage doit être exposée à des produits chimiques tels que des matières caustiques ou des atmosphères dangereuses, l'utilisateur doit consulter CMC ou le fabricant pour déterminer si la pièce est adaptée à une utilisation continue.



AVERTISSEMENT

- L'Utilisateur assume toute responsabilité pour toute utilisation non standard de l'appareil ou des composants utilisés avec l'appareil.
- Un danger peut survenir et la fonctionnalité peut être compromise en combinant d'autres équipements avec le Triskelion pendant l'utilisation.
- N'utilisez pas le Triskelion si des pièces manquent ou n'ont pas été correctement entretenues.

PRODUITS COMPATIBLES

L'utilisation du Triskelion est limitée aux combinaisons de composants approuvés et enregistrés uniquement. Les exemples comprennent:

1. Équipement certifié conforme aux normes EN, NFPA et autres normes de l'industrie.
2. Composants approuvés et testés par CMC.

Les autres combinaisons et composants ne répondant pas à ces normes ne doivent pas être utilisés car ils peuvent compromettre le bon fonctionnement du système.

De plus amples informations concernant les ancrages portables sont disponibles en consultant les normes NFPA 1500, NFPA 1858 et NFPA 1983.

AVANT CHAQUE UTILISATION INSPECTION PAR LES UTILISATEURS

Le Triskelion doit être inspecté par une personne compétente avant et après chaque utilisation pour s'assurer qu'il fonctionne correctement et que tous les composants sont exempts de dommages. L'utilisateur doit également se référer au manuel de l'utilisateur si nécessaire. Une liste de contrôle d'inspection avant utilisation est fournie à titre de guide à la page 6, qui peut être utilisée conjointement avec les protocoles de votre agence agréée.

Renseignez tout signe de détérioration à une personne autorisée pour une décision sur la sécurité et l'aptitude au service du Triskelion. En cas de doute, identifiez-le!

Pour les inspections périodiques, reportez-vous à la section Inspections à la page 13.



AVERTISSEMENT

N'assemblez pas le Triskelion sur un trou ouvert. Érigez le Triskelion loin des vides et des bords, puis déplacez-le à l'emplacement requis une fois que les pieds du Triskelion ont été étendus et verrouillés en place.

AVIS

Utiliser ou exposer le Triskelion à des températures extrêmes, à des produits chimiques caustiques, à des environnements dangereux ou à une manipulation ou un traitement excessivement brutal peut endommager l'appareil.

ASSEMBLEZ LE TRISKELION

MISE EN PLACE DU TRISKELION

Pour des raisons de sécurité, le Triskelion doit être porté et installé par au moins deux personnes ou plus.

1. Vérifiez la surface

- Assurez-vous que le substrat ou le sol sous les pieds du Triskelion peut supporter les charges prévues (Figure 1).
- Méfiez-vous des sols meubles et des sols non soutenus. Gérez-les en conséquence.
- Le Triskelion a des pieds pivotants avec des pointes pointues et des semelles caoutchoutées pour s'adapter à différentes surfaces.
- Utilisez la sangle Hobbler pour empêcher les jambes de s'écarter.
- Des piquets de sol sont disponibles en tant qu'accessoires en option si des pieds individuels nécessitent une stabilisation supplémentaire (reportez-vous à la page 15).

2. Assemblez le Triskelion

- Tenez le Triskelion à la verticale et étendez les pieds individuels à la bonne hauteur. Pour allonger les jambes:
 - a. Appuyez sur le bouton de libération de la goupille à la tête de la goupille et retirez-la de la patte (Figure 2).
 - b. Étendez ou rétractez les pieds pour atteindre la hauteur désirée. Une fois la hauteur atteinte, alignez les trous et réinsérez les goupilles de pied.
- Vérifiez que toutes les goupilles de jambe sont verrouillées en place et que le Triskelion est à la bonne hauteur.
- Déplacez le Triskelion à l'emplacement souhaité et écartez les jambes sur la zone à la largeur d'épandage requise.
- Enfilez la sangle de Hobbler dans chaque pied de triskelion, puis attachez les deux moitiés ensemble (Figure 3). Serrez l'extrémité libre pour éliminer tout jeu de la sangle. Cela empêche les jambes de s'écarter vers l'extérieur.



AVERTISSEMENT

Le réglage des pieds peut présenter un risque de pincement. Tenez la partie supérieure de la jambe plutôt que la partie inférieure de la jambe et gardez les doigts hors des trous des jambes.

3. Gardez la tête de Triskelion au niveau

- Sur les surfaces planes, toutes les pattes auront la même longueur.
- Sur des surfaces inégales, les pieds peuvent être de différentes longueurs.
- Ajustez la longueur d'un ou de plusieurs pieds de sorte que la tête du Triskelion soit de niveau et directement au-dessus de l'ouverture ou de la zone de travail.

Figure 4: Surface plane

Figure 5: Surface en pente

Figure 6: Sol de hauteurs différentes

TRISKELION COMME POINT D'ANCRAGE HAUT

Exemple: avec un enrouleur automatique

- Fixez le câble/sangle d'assurance auto-rétractable à un point d'ancrage sur la tête du Triskelion (Figures 7 et 8).
- Gardez la charge entre les pieds du Triskelion (Figures 7 et 8).
- N'utilisez pas de charge en dehors des pieds du Triskelion (Figure 9).



AVERTISSEMENT

- Opérer à l'extérieur des pieds du Triskelion peut créer une oscillation latérale et faire basculer le trépied. Gardez la charge entre les pieds.
- Pour des raisons de sécurité, vérifiez qu'il y a une distance adéquate et un espace libre sous la zone d'opération afin qu'en cas de chute, l'utilisateur n'entre pas en contact avec le sol ou d'autres obstacles (le tirant d'air doit être suffisant)

FIXATION D'ACCESSOIRES AUX JAMBES

Les accessoires approuvés qui sont conçus pour être fixés au pied du Triskelion ont des zones spécifiques où ils peuvent être installés. Reportez-vous aux instructions des accessoires individuels pour déterminer où chacun peut être fixé.

Fixation de l'adaptateur de treuil Triskelion-LokHead

L'adaptateur de treuil Triskelion-LokHead est un accessoire en option et est conçu pour permettre au treuil Harken LokHead d'être monté et utilisé avec le Triskelion (reportez-vous à la page 15).

Pour fixer le treuil et l'adaptateur de treuil:

1. Déterminez où le treuil LokHead sera positionné sur le pied du Triskelion (Figure 10).
 - Assurez-vous qu'une jambe avec une poulie est sélectionnée. Ces jambes sont marquées d'un symbole Poulie sur jambe
 - Sur les étiquettes des pattes rouges.
2. Déterminez si la poignée du treuil LokHead doit être orientée sur le côté gauche ou droit, et à l'intérieur ou à l'extérieur de la jambe.
 - Retirez les deux broches rouges de l'adaptateur et placez-le sur le pied, en alignant les trous des broches de l'adaptateur avec les trous correspondants du pied Triskelion. Réinsérez les broches rouges pour fixer l'adaptateur en place.
 - Si vous fixez l'adaptateur au pied supérieur, l'entretoise n'est pas nécessaire et doit être retiré avant de fixer l'adaptateur au pied (Figure 11).
 - Si vous fixez l'adaptateur aux trous supérieurs du pied inférieur, l'entretoise est nécessaire pour créer un ajustement serré et doit être fixé en place avant que l'adaptateur ne soit fixé au pied (Figure 11). Pour installer l'entretoise, orientez les deux trous de l'entretoise avec les trous des broches de l'adaptateur. Insérez l'entretoise par le dessous de l'adaptateur. Insérez les languettes du curseur dans la partie la plus large des fentes rectangulaires, puis faites-les glisser vers le côté opposé jusqu'à ce que l'entretoise s'enclenche avec un clic audible.
3. Retirez la goupille de verrouillage argentée de l'adaptateur de treuil, puis insérez le treuil LokHead dans la fente de l'adaptateur, en vous assurant que la découpe A de la plaque de treuil s'adapte autour de la goupille soudée B à l'intérieur de la fente de l'adaptateur (Figure 12).
4. Réinsérez la goupille de verrouillage argentée, en utilisant le plus bas des deux trous disponibles pour fixer le treuil à l'adaptateur (Figure 12).

Fixation de l'adaptateur du treuil Triskelion-Salalift II

L'adaptateur de treuil Triskelion-Salalift II est un accessoire en option et est conçu pour permettre au treuil 3M DBI / SALA Salalift II d'être monté et utilisé avec le Triskelion (voir page 15).

Pour fixer le treuil et l'adaptateur de treuil:

1. Fixez l'adaptateur au pied inférieur du Triskelion en utilisant les deux trous supérieurs les plus proches du pied supérieur (Figure 13).
 - Assurez-vous qu'une jambe avec une poulie est sélectionnée. Ces jambes sont marquées d'un symbole Poulie sur jambe sur les étiquettes de jambe rouges.
1. Retirez les deux broches rouges de l'adaptateur et placez-le sur le pied, en alignant les trous des broches de l'adaptateur avec les trous correspondants du pied Triskelion. Réinsérez les broches rouges pour fixer l'adaptateur en place (Figure 14).
2. Retirez la goupille de verrouillage de l'appareil, puis placez le treuil sur le support de l'adaptateur en vous assurant que la découpe A de la plaque de treuil s'adapte autour de la goupille soudée B sur l'adaptateur (Figure 15).
3. Réinsérez la goupille de verrouillage pour fixer le treuil à l'adaptateur (Figure 16).

TRISKELION COMME CHANGEMENT DE DIRECTION

Pour utiliser le Triskelion comme changement de direction:

- Utilisez les poulies intégrées dans la tête Triskelion

OU

- Fixez une poulie à un point d'ancrage sur la tête Triskelion.

La force résultante coupe en deux la corde / câble entrant et sortant d'une poulie (Figure 17).

La force résultante (indiquée par la ligne pointillée) doit être maintenue à l'intérieur du triangle formé par les pieds lorsqu'il n'y a pas de gréement de stabilisation ‡ car elle peut renverser le Triskelion.

Ceci est réalisable en gardant la corde de travail parallèle aux jambes et à l'intérieur de la sangle de retenue des pieds.

La corde de sécurité / d'assurance / de secours n'est pas représentée sur les figures 18, 19 et 20 pour plus de clarté.

Figure 18: Système de poulie de capture de progression

Figure 19: Treuil

Figure 20: S'éloigner des jambes sans gréement de

stabilisation

‡ Il existe trois points de fixation de stabilisation sur la tête Triskelion pour les utilisateurs avancés. Le gréement de stabilisation n'est pas traité dans ce manuel.

MODE D'EMPLOI DEUX POINTS DE CONTACT

Deux points de contact avec l'utilisateur sont nécessaires pour la sécurité en hauteur:

1. Un moyen principal de progression
2. Un système de sauvegarde (backup).

Les options pour les moyens principaux de progression incluent une échelle, un treuil ou un système de poulie.

Un système de sauvegarde est utilisé si le moyen principal de progression échoue. Les systèmes de secours peuvent être un enrouleur automatique ou un treuil.

- **Figure 21:**
Moyen principal: échelle
Backup: enrouleur automatique

- **Figure 22:**
Moyen principal: treuil
Backup: enrouleur automatique

INSPECTIONS

Pour maintenir la sécurité et la facilité d'entretien de ce produit, des inspections régulières doivent être effectuées.

Inspection par les utilisateurs

Chaque utilisateur doit être formé à l'utilisation et à l'inspection en toute sécurité du Triskelion. Le Triskelion doit être inspecté par

une personne compétente avant et après chaque utilisation pour s'assurer qu'il fonctionne correctement et que tous les composants sont sûrs et fonctionnels.

Une liste de contrôle d'inspection avant utilisation est fournie à titre de guide à la page 6 de ce manuel. Il peut être utilisé en conjonction avec les protocoles approuvés de votre organisation ou service.

Référez tout signe de détérioration à une personne compétente et autorisée pour une décision concernant la sécurité et l'aptitude au service du produit. En cas de doute, ne l'utilisez plus !

Inspections périodiques

- Une inspection périodique doit être effectuée tous les 6 mois et au moins une fois par an par une personne compétente. Les fréquences d'inspection peuvent être augmentées en fonction de la fréquence d'utilisation de l'appareil, des conditions environnementales, de la législation et / ou des protocoles organisationnels. Une

liste de contrôle d'inspection périodique est fournie à la page 14.

- Si une partie du système doit être exposée à des produits chimiques agressifs ou à des atmosphères dangereuses, l'utilisateur doit consulter CMC ou le fabricant pour déterminer si la pièce est adaptée à une utilisation continue.
- Les inspections périodiques doivent être enregistrées dans le journal d'inspection et d'entretien du produit. Un exemple de journal est fourni à la page 15.
- Il est recommandé d'étiqueter l'appareil avec la date de sa prochaine inspection.



AVERTISSEMENT

- Mettez le Triskelion hors service s'il a été utilisé pour arrêter une chute ou si vous avez le moindre doute sur l'état du Triskelion pour une utilisation en toute sécurité. Ne l'utilisez pas à nouveau tant qu'il n'a pas été inspecté par CMC ou par une personne dûment formée et autorisée et qu'une confirmation écrite n'a pas été fournie.
- Le Triskelion a été conçu et testé en utilisant les composants d'origine tels que fournis. Ne remplacez jamais les goupilles, boulons ou autres composants fournis par des pièces non authentiques.

ENTRETIEN

Nettoyage du Triskelion

1. Lavez le Triskelion avec de l'eau tiède et un détergent doux.
2. Rincer à l'eau claire.
3. Faites sécher à l'air le Triskelion non emballé dans un endroit sec, ombragé et bien ventilé. N'utilisez pas de sources de chaleur ou de ventilateurs supplémentaires pour sécher le Triskelion.
4. Évitez tout contact avec des produits chimiques, des huiles, des solvants et d'autres matériaux ou agents corrosifs agressifs.
5. Une fois le Triskelion sec, rangez-le dans le sac de transport.

ESPACE DE RANGEMENT

Le sac de transport est conçu pour un équilibre optimal lors du transport du Triskelion. Pour assurer un bon équilibre, positionnez la tête Triskelion selon le graphique de placement situé à l'intérieur du sac. Ranger le Triskelion dans le sac de transport dans un endroit propre et sec à l'abri de la lumière directe du soleil, des produits chimiques et des éléments corrosifs.

TRANSPORT

Pour éviter tout dommage pendant le transport, le Triskelion doit être emballé dans son sac ou dans un conteneur ou une boîte approprié.

ENTRETIEN ET PIÈCES

Les réparations sur le Triskelion ne peuvent être effectuées que par CMC ou un agent de service qualifié et autorisé. Tout autre travail de réparation ou modification du produit annulera sa garantie. Pour le service ou les réparations, veuillez contacter votre distributeur CMC local ou l'assistance clientèle CMC.

Pièces de rechange

Les pièces de rechange répertoriées à la page 13 peuvent être remplacées par l'utilisateur ou le propriétaire du produit. Toutes les autres pièces doivent être installées par CMC ou un agent de service qualifié et autorisé.

ACCESSOIRES TRISKELION

Voir page 15 pour une photo de chaque accessoire.

LE MARCHEPIED

Le marchepied se monte sur la partie inférieure de la jambe du Triskelion. C'est une aide qui permet à l'opérateur d'atteindre la tête du Triskelion pour régler le gréement après l'installation. **Référence 760010**

LES PIQUETS DE SOL

Les piquets de sol sont conçus pour fixer le pied Triskelion. Ils sont idéaux pour les applications sur terrains meubles tels que l'herbe. **Référence 760011**

TRISKELION- ADAPTATEUR DE TREUIL LOKHEAD

L'adaptateur permet au treuil Harken LokHead d'être monté et utilisé avec le Triskelion. **Référence 760012**

ADAPTATEUR DE TREUIL TRISKELION-SALALIFT II

L'adaptateur permet au treuil 3M DBI / SALA Salalift II d'être monté et utilisé avec le Triskelion. **Référence 760014**

DEUTSCH

VERANTWORTLICHKEIT

Jegliche Aktivitäten, welche die Verwendung eines Dreibeins bedürfen, sind in der Regel gefährlich. Der Nutzer übernimmt alle Risiken und Verantwortlichkeiten für Schäden, Verletzungen oder Todesfälle, die während oder nach der unsachgemäßen Verwendung des Dreibeins auftreten können. Diese Anleitung muss dem Benutzer vom Händler in der Sprache des jeweiligen Landes zur Verfügung gestellt und bei der Nutzung mit dem Gerät aufbewahrt werden. Beachten Sie bitte außerdem jegliche einschlägigen nationalen Vorschriften.

Diese Anleitung erklärt die korrekte Nutzung des Dreibeins. Die Warnsymbole / Aufkleber informieren über Gefahren im Zusammenhang mit der Verwendung des Dreibeins, aber es ist unmöglich vor allen potenziellen Gefahren zu warnen. Der Nutzer ist verantwortlich Warnungen zu beachten und das Dreibein gemäß der Anleitung zu verwenden. Jeder Missbrauch dieses Dreibeins führt zu zusätzlichen Gefahren. Sollten Sie Fragen haben, richten Sie diese bitten direkt an CMC. Besuchen Sie bitte regelmäßig www.cmcpro.com bezüglich möglicher Aktualisierungen und zusätzlichen Informationen.

Bevor das Dreibein genutzt wird:

- Alle Anweisungen und Warnungen sollten gelesen werden und verstanden sein.
- Spezifische Ausbildung und Kompetenztraining für die Nutzung ist notwendig.
- Der Nutzer muss sich mit den Fähigkeiten und Einschränkungen des Gerätes vertraut gemacht haben.
- Das vollständige verstehen und akzeptieren aller mit der Nutzung verbundenen Risiken ist notwendig.
- Im Notfall, während der Nutzung des Gerätes, muss ein Rettungsplan vorliegen und immer umsetzbar sein.
- Der Nutzer muss medizinisch fit für diese Aktivitäten sein.
- Der Nutzer muss in der Lage sein, die eigenen Sicherheits- und Notfallsituationen zu kontrollieren und umzusetzen.


Der Nutzer sollte das Gerät vor und nach der Verwendung überprüfen und inspizieren.

Siehe Seite 2 für CE-Konformitätsinformationen.

CMC WARRANTY STATEMENT

Sollte Ihr CMC-Produkt aufgrund von Verarbeitung oder Materialverwendung einen Defekt aufweisen, wenden Sie sich bitte an den CMC-Kundendienst, um Garantie- und Service-Informationen zu erhalten. Die Garantie von CMC deckt keinerlei Schäden ab, die durch unsachgemäße Handhabung und unsachgemäße Verwendung oder jegliche Änderungen und Modifikationen verursacht wurden. Weiterhin sind Schäden durch Verschleiß die aufgrund von natürlichen Materialabbau über längere Nutzung und Zeit verursacht werden, nicht durch die Garantie gedeckt. Alle Reparaturarbeiten müssen von CMC oder einem geschulten und autorisierten Fachmann durchgeführt werden. Alle anderen Arbeiten oder Modifikationen negieren die Garantie und entbinden CMC und den Hersteller von jeder Haftung und Verantwortung. CMC empfiehlt Benutzern, einen Inspektionskalender zu führen, um relevante Informationen zu dokumentieren. (Siehe Dokument am Ende des Handbuchs).

SICHERHEITSMITTEILUNGEN

 WARNUNG
<p>Sicherheitswarnungen weisen auf eine potenziell gefährliche Situation hin, welche, wenn diese nicht vermieden wird, zu Verletzungen oder Tod führen können.</p>

BEMERKEN
<p>In den Notifikationen werden wichtige, aber nicht Gefahrenbezogene Informationen hervorgehoben. Die Nichtbeachtung von Notifikationen kann zu Produkt- oder Sachschäden führen.</p>

GLOSSAR

Kompetente Person - Fachmann/-frau

Eine vom Arbeitgeber benannte Person, die durch Ausbildung und Wissen, bestehende und potenzielle Gefahren identifizieren und bewerten kann und außerdem befugt ist, Korrekturmaßnahmen bezüglich dieser Gefahren einzuleiten.

Hobble Strap / Dreibeinverbindungsgurt

Wird verwendet, um die Beine eines Dreibeins miteinander zu verbinden, um zu verhindern, dass diese unabhängig voneinander wegrutschen.

Hauptseil

Die primäre Seil welches die Hauptlast hält.

MBS

Minimale Bruchfestigkeit

NFPA

National Fire Protection Association

Mobiler, künstlicher Anschlagpunkt

Ein Gerät mit starren Beinen, welche für Personen Nutzlasten entwickelt wurden. Auch bekannt als Dreibein oder „Artificial High Directional“ (AHD).

PPE

Persönliche Schutzausrüstung

Resultierende Vektor Kraft

Die einzelne lineare Richtungskraft entspricht der Summe aller Kräfte, die auf ein Objekt angewendet werden.

Sicherheitsseil

Ein Sicherheitsseil oder Sicherheitssystem, das zur sekundären Absicherung der Last verwendet wird, falls das Hauptseil versagt.

Arbeitslastgrenze

Arbeitslastgrenze - bestimmt durch die Division der minimalen Bruchfestigkeit (MBS) durch einen bestimmten Sicherheitsfaktor.

Sekundäres Sicherheitseil am Gerät

Ein Seil, welches nur dafür verwendet wird, um zu verhindern, dass ein Gerät ohne Intention kippt oder fällt.

RÜCKVERFOLGBARKEIT & MARKIERUNGEN

Markierungen und Warnungsaufkleber am Dreibein

Siehe Seite 3 für die entsprechenden Symbole.

1. Rolle über dem Bein
2. Das Seriennummernaufkleber enthält die Identifikationsnummer und das Herstellungsdatum des Produkts.
3. Numerische Beschriftungen auf jedem Bein illustrieren die visuelle Darstellung der Höheneinstellung jedes Beins.
4. Das Zertifizierungsaufkleber bietet einen schnellen Verweis auf die Prüfstandards, die minimalen Bruchfestigkeiten und andere Herstellerangaben.

Tragetasche Markierungen

Bewahren Sie den Triskelion in der entsprechenden Tragetasche, mit der Kopfteillage in der dargestellten Richtung, auf.

ÜBER THE CMC TRISKELION

FUNKTIONEN

1. Einteiliger Stahlkopf
2. Zwei Edelstahlrollen zur Umleitung von Seilen oder Kabeln bis zu einem Durchmesser von 13mm
3. Drei Anschlagpunkte für Rettungs- und Arbeitspositionierung oder zur Sicherheitsstabilisierung.
4. Drei Anschlagpunkte an den Seitenplatten.
5. Rechteckige, verstellbare Beine mit schnell wirkenden Kugelschloss-Arretierungsbolzen.
6. Schwenkbare Füße mit aggressivem, rutschfestem Profil und integrierter Spitze
7. Verstellbarer Dreibeinverbindungsring mit Cobra Quick Release Schnalle (nicht abgebildet)
8. Tragetasche (nicht abgebildet)

Siehe Seite 4 für die spezifische Liste und die entsprechenden Illustrationen.


GEBRAUCHSANWEISUNG

ALLGEMEINE SICHERHEITSHINWEISE

1. Das Triskelion und die jegliches dazugehörige Anbauten müssen immer per sekundäres Sicherheitsseil vor Absturz oder Umkippen gesichert sein.
2. Das Triskelion kann instabil werden oder umstürzen, wenn es ohne eine Beachtung der resultierenden Winkel- kräfte und / oder -richtung verwendet wird. Zusätzliche Absicherung kann erforderlich sein, um eine vollständige Stabilisierung zu gewährleisten.
3. Stellen Sie sicher, dass der Nutzer in guter körperlicher und geistiger Verfassung ist und in der Anwendung des Triskelion geschult und kompetent ist. Der Nutzer sollte über alle relevanten PSA für den Einsatz verfügen, bevor der Rettungs- oder Arbeits-einsatz beginnt. PPE können, sind aber nicht beschränkt auf, einen Gurt, mitlaufendes Auffanggerät, Helm, Handschuhe und geeignetes Schuhwerk.
4. Ein Rettungsplan ist obligatorisch, wenn sie in der Höhe oder auf engstem Raum arbeiten. Stellen Sie sicher, dass das gesamte Team mit dem Rettungsplan und den jeweiligen Rollen der Individuen vertraut ist.
5. Ändern oder modifizieren Sie den Triskelion in keiner Weise. Dies erlischt die Garantie.
6. Das Triskelion darf nur von CMC oder einem geschulten, autorisierten Fachmann repariert und / oder gewartet werden.
7. Wenn das Triskelion als Teil eines Fallsicherungssystems verwendet wird, muss der Nutzer mit einem Auffanggerät ausgestattet sein, um die maximalen dynamischen Kräfte, die während der Festnahme eines Sturzes auf maximal 6kN (1350 lb.)

ausgeübt werden, zu begrenzen.

8. Ein mitlaufendes Auffanggerät sollte an einem Anschlagpunkt befestigt werden, der sich auf einem Höhenniveau befinden, welches einem minimalen freien Fall und den geringsten gesamten Fallabstand gewährleistet, unter der Berücksichtigung, dass der Nutzer dennoch die Arbeit weitgehend hinderungsfrei durchführen kann.
9. Wenn Sie eine Verbindung zu einem Anschlagpunkt am Gurt machen, welcher vom Nutzer des Gurtes nicht gesehen werden kann, sollte die Verbindung entweder vor dem Anlegen des Gurtes gemacht werden oder von einer Fachmann/-frau auf Sicherheit geprüft werden.
10. Um einen Pendeleffekt während eines Sturzes zu vermeiden, darf der maximale Winkel vom Anschlagpunkt am Gurt zum höchsten Anschlagpunkt des Triskelion nicht mehr als 15 Grad in beide Richtungen der Senkrechte überschreiten.
11. Aus Sicherheitsgründen sollte der Triskelion von zwei oder mehr Personen getragen und aufgestellt werden.
12. Wenn der Triskelion oder ein Bauteil des Triskelion Chemikalien, z. Bsp. ätzenden oder basischen Stoffen ausgesetzt werden sollte, muss der Nutzer CMC oder den Hersteller konsultieren, um festzustellen, ob das Dreibein für den weiteren Gebrauch geeignet ist.

 **WARNUNG**

- Der Nutzer übernimmt die Verantwortung für jegliche unsachgemäße Verwendung des Dreibeins oder dessen Komponenten, die mit dem Dreibein als gesamtes Rettungs- und / oder Arbeitsmittel verwendet werden.
- Die Funktionalität des Triskelion kann eingeschränkt werden, wenn dieses mit anderen Komponenten / Anbauten genutzt wird.
- Verwenden Sie das Triskelion nicht, wenn Bauteile fehlen oder es einen Hinweis darauf gibt, dass das Triskelion nicht ordnungsgemäß gewartet wurde.

BEMERKEN

Die Nutzung, Lagerung oder der Transport des Triskelions in extremen Temperaturen, mit ätzenden Chemikalien, in gefährlichen Gasen oder die übermäßig grobe Handhabung kann zu Schäden am Gerät führen.

KOMPATIBLE PRODUKTE

Die Verwendung des Triskelion ist nur in Verbindung mit zugelassenen und registrierten Komponenten und Anbauten erlaubt. Beispiele hierfür sind:

1. Geräte, die nach EN, NFPA und anderen Industriestandards zertifiziert sind.
2. Zugelassene und geprüfte Komponenten von CMC.

Andere Bauteile und Komponenten, die diese Standards nicht erfüllen, sollten nicht verwendet werden, da sie den sicheren Betrieb des gesamten Systems beeinträchtigen können.

Weitere Informationen zu mobilen Anschlagpunkten finden Sie in NFPA 1500, NFPA 1858 und NFPA 1983.

GEBRAUCHSANWEISUNG

VOR JEDER ANWENDUNG


Benutzerinspektion

Das Triskelion sollte vor und nach jeder Anwendung von einer Fachmann/-frau überprüft werden, um sicherzustellen, dass es ordnungsgemäß funktioniert und alle Komponenten frei von Schäden sind. Der Nutzer sollte sich bei Bedarf auf das Benutzerhandbuch beziehen.

Eine Checkliste für die Anwendungsinspektion wird als Leitfaden auf Seite 6 dargestellt, die in Verbindung mit nutzerspezifischen, internen, Inspektionsprotokollen verwendet werden kann.

Jegliche Anzeichen die auf die Reduzierung der Traglast und / oder Gebrauchstauglichkeit des Triskelion hinweisen, müssen unverzüglich einer Fachmann/-frau gemeldet werden. Diese Person wird dann eine Entscheidung über die Sicherheit und Gebrauchstauglichkeit des Triskelion im Einklang mit der Betriebs- und Wartungsanleitung treffen. Im Zweifelsfall, das Gerät als unbrauchbar markieren und nicht verwenden!

Für regelmäßige Inspektionen nutzen Sie den Abschnitt „Inspektionen“ auf Seite 13.

 **WARNUNG**

Montage / Aufbau des Triskelion sollte nicht über einer Öffnung stattfinden. Errichten Sie das Triskelion auf einer soliden Ebene und nicht in der Nähe von Hohlräumen und Kanten. Nach einer kompletten Montage kann das Triskelion dann in die gewünschte Position gesetzt werden, sobald die Triskelion-Beine verlängert und verriegelt wurden.

AUFBAU DES TRISKELION

Aus Sicherheitsgründen sollte der Triskelion von mindestens zwei oder mehr Personen getragen und aufgestellt werden.

1. Überprüfen Sie die Oberfläche

- Stellen Sie sicher das der Untergrund und / oder die Oberfläche unter den Triskelion-Füßen den zu erwartenden Belastungen genügen kann (Abbildung 1).
- Vermeiden Sie weiche oder instabile Böden mit Hohlräumen.
- Das Triskelion hat schwenkbare Füße mit Spike-Spitzen und gummierten Sohlen, um auf verschiedenen Oberflächen zu greifen.
- Verwenden Sie die Dreibein-Verbindungsgurte, um zu verhindern das sich die Beine wegrutschen.
- Erdanker sind als optionales Zubehör erhältlich, falls individuelle Beine eine zusätzliche Stabilisierung erfordern (siehe Seite 15).

2. Aufbau des Triskelion

- Stellen Sie das Triskelion aufrecht und verlängern Sie einzelne Beine auf die richtige Höhe. Die einzelnen Beine:
 - a. Drücken Sie den Kugelknopf- am Kopfende des Bolzens und ziehen sie diesen aus dem Bein (Abbildung 2).
 - a. Verlängern oder kürzen Sie die Beine bis die gewünschte Höhe erreicht ist, richten Sie Löcher aus und setzen Sie Bolzen erneut ein.
- Überprüfen Sie alle Bolzen und machen Sie sicher, dass das Triskelion auf die richtige Höhe justiert wurde.
- Bewegen Sie das Triskelion zur gewünschten Position und spreizen Sie Triskelionbeine über der Öffnung oder Arbeitsbereich auf die erforderliche Breite.
- Fädeln Sie den Dreibein-Verbindungsgurte durch jeden Triskelion-Fuß, und verbinden Sie dann die beiden Hälften (Abbildung 3). Ziehen Sie das lose Ende fest, um jegliches Spiel im Gurt zu entfernen. Dadurch wird verhindert, dass sich die Triskelionbeine weiter spreizen.

3. Stellen Sie den Triskelion auf Augenhöhe auf.

- Auf ebenen Oberflächen sind alle Beine gleich lang justiert.
- Auf unebenen Oberflächen können die Beine unterschiedlich lang justiert sein.
- Passen Sie die Länge eines oder mehrerer Beine so an, dass der Triskelion-Kopfteil waagrecht und direkt über der Öffnung oder dem Arbeitsbereich ist.

Abbildung 4: Flache Oberfläche

Abbildung 5: Schrägoberfläche

Abbildung 6: Boden in verschiedenen Höhen

TRISKELION ALS HOHER ANSCHLAGPUNKT

Beispiel: Mit einem automatisch rücklaufendem Hauptseil

- Befestigen Sie das automatisch rücklaufende Hauptseil an einem Ankerpunkt am Triskelion-Kopfteil (Abbildung 7 und 8).
- Halten Sie die Last innerhalb des gedachten Dreiecks der Triskelion Beine (Abbildung 7 und 8).
- Bewegen Sie keine Last außerhalb des gedachten Dreiecks der Triskelion Beine (Abbildung 9).



WARNUNG

- Das bewegen der Last außerhalb des gedachten Dreiecks der Triskelionbeine, kann einen seitlichen Schaukeleffekt erzeugen und das Dreibein stürzen. Machen Sie immer sicher das die Last, im gedachten Lot, immer zwischen den Triskelionbeinen bleibt.
- Überprüfen Sie aus Sicherheitsgründen, ob unter dem Einsatzbereich ausreichend Abstand und freier Platz vorhanden ist, so dass der Nutzer im Falle eines Sturzes nicht mit dem Boden oder anderen Hindernissen in Berührung kommt.



WARNUNG

Das Justieren der Beine kann eine Verletzungsgefahr darstellen. Bei der Justierung wird empfohlen nur den oberen Teil des Triskelionbeines und nicht den unteren zu halten. Vermeiden sie bitte auch unbedingt die Finger in die Justierungslöcher zu stecken.

BEFESTIGUNG VON ZUBEHÖR AN DEN TRISKELIONBEINEN

Zugelassenes Zubehör, welches für die Befestigung am Triskelion-Bein ausgelegt ist, können nur an bestimmten Bereichen der Beine installiert werden. Siehe Anleitung, um sicherzustellen, wo genau diese Zubehörteile angebracht werden können.

Anbringen des Triskelion-LokHead Windenadapters

Der Triskelion-LokHead Windenadapter ist ein optionales Zubehör und wurde entwickelt, um die Harken-LokHead Winde am Triskelion zu montieren und zu nutzen. (siehe Seite 15).

Befestigung der Winde- und des Windenadapters:

1. Bestimmen Sie, wo die LokHead-Winde auf dem Triskelionbein positioniert wird (Abbildung 10).
 - Stellen Sie sicher, dass ein Bein mit einer Rolle für den Anbau gewählt wird. Diese Beine sind mit einem Rotem Symbolaufkleber markiert.
 - Stellen Sie fest, ob der LokHead-Windengriff auf der linken oder rechten Seite und an der Innen- oder Außenseite des Beins angebracht werden soll.
2. Entfernen Sie die beiden roten Stiftbolzen vom Adapter und positionieren Sie diese auf dem Bein, wobei die Stiftlöcher im Adapter mit entsprechenden Löchern im Triskelion-Bein ausgerichtet werden. Setzen Sie die roten Stiftbolzen erneut ein, um den Adapter zu befestigen.
 - Wenn Sie den Adapter am oberen Bein befestigen, ist ein Abstandhalter nicht erforderlich und sollte entfernt werden, bevor der Adapter am Bein befestigt wird (Abbildung 11).
 - Wenn der Adapter an den oberen Löchern des unteren Beinsegment befestigt wird, muss der Abstandhalter angelegt werden, um eine enge Passform zu garantieren und muss entsprechend fixiert werden, bevor der Adapter am Bein befestigt wird (Abbildung 11).
Um den Abstandhalter anzupassen, richten Sie die beiden Löcher im Abstandhalter mit den Stiftlöchern im Adapter aus. Legen Sie den Abstandhalter an der Unterseite des Adapters ein. Passen Sie die Schiebezungen durch den breiteren Teil der rechteckigen Schlitz an, und schieben Sie sie dann auf die gegenüberliegende Seite, bis der Abstandsabstand mit einem hörbaren Arretierung eingreift.

3. Entfernen Sie den silbernen Verriegelungsbolzen vom Windenadapter, und legen Sie dann die LokHead-Winde in den Adapterschlitz ein, um sicherzustellen, dass Ausschnitt A in der Windenplatte um den

geschweißten Stift B in den Adapterschlitz passt (Abbildung 12).

4. Setzen Sie den silbernen Verriegelungsbolzen erneut ein, indem Sie die untere der beiden verfügbaren Löcher verwenden, um die Winde am Adapter zu befestigen (Abbildung 12).

Anbringen des Triskelion-Salalift II Winch Adapters

Der Adapter ist ein Zubehörteil welches entwickelt wurde um die 3M DBI/SALA Salalift II Winde am Triskelion zu befestigen und entsprechend zu nutzen. (siehe Seite 15).

Befestigung der Winde- und Windenadapters:

1. Befestigen Sie den Adapter mit den oberen beiden Löchern am oberen Segment des unteren Triskelion-Beins (Abbildung 13).
 - Stellen Sie sicher, dass ein Bein mit einer Rolle ausgewählt ist. Diese Beine sind auf den roten Aufklebern mit einer Rolle über einem Bein-Symbol gekennzeichnet.
2. Entfernen Sie die beiden roten Stiftbolzen vom Adapter und positionieren Sie den Adapter auf dem Bein, wobei die Löcher im Adapter mit entsprechenden Löchern im Triskelion-Bein ausgerichtet werden. Setzen Sie die roten Stiftbolzen erneut ein, um den Adapter zu befestigen. (Abbildung 14).
3. Entfernen Sie den Verriegelungsbolzen vom Gerät, und setzen Sie dann die Winde über die Adapterhalterung, um sicherzustellen, dass Ausschnitt A in der Windenplatte um den geschweißten Bolzen B auf dem Adapter passt (Abbildung 15).
4. Setzen Sie den Verriegelung erneut ein, um die Winde am Adapter zu befestigen. (Abbildung 16).

TRISKELION ALS UMLENKPUNKT

So verwenden Sie das Triskelion als Umlenkpunkt:

- Verwenden Sie die integrierten Rollen im Triskelion-Kopfteil

oder

- Befestigen Sie eine Rolle an einem Anschlagpunkt am Triskelion-Kopfteil.

Die resultierende Kraft, Vektor, teilt sich zwischen dem ein- und ausgehenden Seil an der Rolle. (Abbildung 17).

Die resultierende Kraft (angezeigt durch die gestrichelte Linie) muss innerhalb des gedachten Dreiecks, welches durch den Fußabdruck der drei Beine entsteht, gehalten werden, wenn keine zusätzlichen und adäquaten Befestigungs- und Stützmaßnahmen vorgesehen sind, da das Triskelion umstürzen kann.

Dies wird erreicht, indem das Zugseil parallel zu den Beinen und innerhalb der Dreibein-Verbindungsgurte gehalten wird.

Hauptseil / Sicherungsseil / Sekundäres Sicherheitsseil sind auf den Abbildungen 18, 19 und 20 aus Gründen der Übersichtlichkeit entfernt worden.

Abbildung 18: Rollen mit Rücklaufsperrung

Abbildung 19: Winde

Abbildung 20: Versetzen von den Beinen ohne Stabilisierungsseilverbindungen.

‡ Es gibt drei Stabilisierungsbefestigungspunkte auf dem Triskelion Kopfteil für fortgeschrittene Nutzer. Die Stabilisierungsseilverbindungen werden in diesem Handbuch nicht gelehrt.

ZWEI ANSCHLAGPUNKTE

Zur Fallsicherung sind zwei Anschlagpunkte am Nutzer erforderlich:

1. Ein primärer Anschlagpunkt, um die notwendige Arbeit durchzuführen und
2. Ein sekundärer Anschlagpunkt für das Sicherungssystem.

Zu den Optionen für die primäre Nutzung gehören eine Leiter, eine Winde oder ein Rollensystem.

Ein Sicherungssystem greift, wenn das primäre Arbeitssystem versagt oder komprimiert ist. Beispiele für ein Sicherungssystem sind eine sich Rettungsseil mit automatischem Rücklauf oder eine Winde.

- **Abbildung 21:**
 - Primär: Leiter
 - Backup: Rettungsseil mit automatischem Rücklauf
- **Abbildung 22:**
 - Primär: Winde
 - Backup: Rettungsseil mit automatischem Rücklauf

INSPEKTIONEN

Um die Sicherheit und Einsatzfähigkeit dieses Produktes zu gewährleisten, müssen regelmäßige Inspektionen durchgeführt werden.

Nutzerinspektion

Jeder Nutzer sollte in der sicheren Verwendung und Inspektion des Triskelion geschult werden. Das Triskelion sollte von einer Fachmann/-frau, vor und nach jeder Anwendung geprüft werden, um sicherzustellen, dass das Triskelion und alle Komponenten ordnungsgemäß funktionieren.

Eine Checkliste für die Prüfung vor der Nutzung finden Sie auf Seite 6 des Handbuchs. Dieses kann in Verbindung mit den genehmigten Organisationsprotokollen verwendet werden.

Verweisen Sie alle Anzeichen eines möglichen Problems am Triskelion an eine kompetente, autorisierte Person zur

Prüfung bezüglich der Sicherheit und Gebrauchstauglichkeit des Produkts. **Im Zweifelsfall, sichtbar als unbrauchbar markieren!**

Regelmäßige Inspektionen

- Eine regelmäßige Inspektion sollte alle 6 Monate oder mindestens jährlich von einer Fachmann/-frau durchgeführt werden. Die Inspektionsfrequenzen müssen erhöht werden abhängig davon wie oft das Triskelion verwendet wird, die Umweltbedingungen während der Nutzung, staatliche Gesetze und/oder interne Organisationsprotokolle. Eine Checkliste für die regelmäßige Inspektion finden Sie auf Seite 14.
- Wenn das Triskelion oder Teile des Triskelion Chemikalien oder gefährlichen Gasen ausgesetzt war, sollte sich der Nutzer mit CMC oder dem Hersteller in Verbindung setzen, um sicherzustellen, dass das Teil für den weiteren Gebrauch geeignet ist.
- Regelmäßige Inspektionen sollten im Inspektions- und Wartungsprotokoll des Produkts vermerkt werden. Ein Beispiel für ein solches Protokoll finden Sie auf Seite 15.
- Es wird empfohlen, das Triskelion mit dem Datum für die nächste Inspektion zu markieren.

WARNUNG

- Wenn das Triskelion einem tatsächlichen Sturz / Unfall ausgesetzt wurde und mögliche Schocklasten eingetreten sind, oder wenn es irgendwelche Zweifel über den einwandfreien Zustand des Triskelion für die sichere Verwendung gibt, sollte das Triskelion vorerst still gelegt werden. Nutzen Sie es erst dann wieder, wenn es von CMC oder einer entsprechend geschulten, autorisierten Fachmann/-frau geprüft wurde und eine schriftliche Bestätigung vorliegt.
- Das Triskelion wurde mit den mitgelieferten Originalkomponenten entwickelt und getestet. Ersetzen Sie niemals Stifte, Bolzen, Schrauben oder andere Komponenten mit Teilen die nicht vom Hersteller sind.

WARTUNG

Reinigung des Triskelion

1. Waschen Sie den Triskelion mit warmem Wasser und einem weichen Reinigungsmittel.
2. Mit sauberem Wasser abspülen.
3. Den unverpackten Triskelion in einem trockenen, schattigen und gut belüfteten Bereich lufttrocknen. Verwenden Sie keine zusätzlichen Wärmequellen oder Gebläse, um das Triskelion zu trocknen.
4. Vermeiden Sie den Kontakt mit Chemikalien, Ölen, Lösungsmitteln und anderen aggressiven korrosiven Materialien oder Wirkstoffen.
5. Sobald das Triskelion trocken ist, lagern Sie es in der Tragetasche.

LAGERUNG

Die Tragetasche ist für eine optimale Balance beim Tragen des Triskelion ausgelegt. Um eine angemessene Balance zu gewährleisten, positionieren Sie das Triskelion-Kopfteil entsprechend der Platzierungsgrafik auf der Innenseite der Tasche. Bewahren Sie den Triskelion in der Tragetasche in einem sauberen, trockenen Ort fern von direkter Sonneneinstrahlung, Chemikalien und korrosiven Elementen auf.

TRANSPORT

Um Schäden während des Transports zu vermeiden, sollte das Triskelion in der Tragetasche, einem geeigneten Container oder Kiste verpackt werden.

WARTUNG & REPARATURETEILE

Reparaturen am Triskelion dürfen nur von CMC oder einem geschulten, autorisierten Fachmann durchgeführt werden. Alle anderen Reparaturarbeiten oder Änderungen am Produkt erlöschen die Garantie. Für Service oder Reparaturen wenden Sie sich bitte an Ihren lokalen CMC-Händler oder CMC-Kundenservice.

Ersatzteile

Die auf Seite 13 aufgeführten Ersatzteile können durch den Benutzer oder Produktbesitzer ausgetauscht werden. Alle anderen Teile müssen von CMC oder einem geschulten, autorisierten Fachmann montiert werden.

TRISKELION ZUBEHÖR

Siehe Seite 15 für ein Foto vom erhältlichen Zubehör.

KLETTERSTUFE

Die Kletterstufe wird am unteren Teil des Triskelion-Beins montiert. Es ist eine Stufe, die es dem Bediener ermöglicht das Triskelion-Kopfteil zu erreichen, um die Seilpositionierung nach dem Aufbau des Dreibeins zu justieren. **Teile-Nr. 760010**

ERDANKER

Der Erdanker wurde entwickelt, um den Triskelion Fuß zu sichern. Es ist ideal für Weichbodenanwendungen wie Gras. **Teile-Nr. 760011**

TRISKELION- LOKHEAD WINCH ADAPTER

Der Adapter ermöglicht den Anbau und die Verwendung der Harken LokHead Winch mit dem Triskelion. **Teile-Nr. 760012**

TRISKELION- SALALIFT II WINCH ADAPTER

Der Adapter ermöglicht den Anbau und die Verwendung der 3M DBI/SALA Salalift II Winde mit dem Triskelion. **Teile-Nr. 760014**

ITALIANO

RESPONSABILITÀ

Le attività che comportano l'uso di questo dispositivo sono intrinsecamente pericolose. L'Utente si assume tutti i rischi e le responsabilità per eventuali danni, lesioni o decesso, che possono verificarsi durante o in seguito all'uso non corretto di questa apparecchiatura. Questo documento deve essere fornito all'Utente dal rivenditore nella lingua del rispettivo paese e deve essere conservato con l'attrezzatura mentre è in uso. Osservare le pertinenti normative nazionali.

Queste istruzioni spiegano l'uso corretto dell'attrezzatura. I simboli di avvertimento informano di alcuni potenziali pericoli legati all'uso della vostra attrezzatura, ma è impossibile descriverli tutti. L'utente è responsabile dell'attenzione VERSO ogni avviso e dell'utilizzo corretto dell'attrezzatura. Qualsiasi uso improprio di questa apparecchiatura creerà ulteriori pericoli. Contatta CMC in caso di domande o difficoltà a comprendere queste istruzioni. Verificare il sito web cmcpro.com per ulteriori informazioni e ulteriori informazioni.

Prima di utilizzare questa apparecchiatura, è necessario:

- Leggere e comprendere queste istruzioni e avvisi.
- Ottenere una formazione e una competenza specifiche nel suo corretto utilizzo.
- Acquisire familiarità con le sue capacità e limitazioni.
- Comprendere e accettare i rischi coinvolti.
- Avere un piano di salvataggio pronto per affrontare eventuali emergenze che potrebbero sorgere durante l'uso del dispositivo.
- Essere in possesso dell'idoneità fisica specifica per queste attività.
- Essere in grado di gestire le situazioni di sicurezza e di emergenza del proprio sito di lavoro.

Controllare l'attrezzatura prima e dopo l'uso.

Vedere pagina 2 per informazioni sulla conformità CE.

DICHIARAZIONE DI GARANZIA CMC

Se il prodotto CMC presenta un difetto dovuto alla lavorazione o ai materiali, contattare l'Assistenza clienti CMC per informazioni e assistenza in garanzia. La garanzia di CMC non copre i danni causati da cattiva manutenzione, uso improprio, modifiche e alterazioni, danni accidentali o la rottura naturale del materiale per un uso prolungato e dovuto al tempo. Tutti i lavori di riparazione devono essere eseguiti da CMC o da un agente di servizio qualificato e autorizzato. Tutti gli altri lavori o modifiche annullano la garanzia e sollevano CMC e il produttore da ogni responsabilità ed obbligo. CMC incoraggia gli utenti a mantenere un registro di ispezioni per documentare le informazioni pertinenti come suggerito nella tabella alla fine di questo manuale.

INFORMAZIONI SULLA SICUREZZA



AVVISO

Gli avvisi di sicurezza indicano una situazione potenzialmente pericolosa che, se non evitata, potrebbe causare lesioni o morte.

NOTA

Gli avvisi sottolineano informazioni importanti, ma non relative al pericolo. Il mancato rispetto delle note potrebbe causare danni al prodotto o agli oggetti nelle vicinanze.

GLOSSARIO

Persona competente

Una persona designata dal proprio datore di lavoro che, attraverso la formazione e la conoscenza, è in grado di identificare i difetti, valutare e affrontare i pericoli esistenti e potenziali e che ha l'autorità di intraprendere azioni correttive per quanto riguarda tali pericoli.

Cinghie di trattenuta

Utilizzato per unire le gambe di un treppiede insieme per evitare che le gambe si allontanino allargandosi.

Linea principale

Fune primaria che supporta il carico.

MBS

Carico di rottura minimo

NFPA

Associazione Nazionale per la Protezione antincendio (USA)

Ancoraggio portatile

Un dispositivo fabbricato con gambe rigide progettato per sostenere carichi umani. Conosciuto anche come un treppiede o un Artificial high directional(AHD), detto anche "cavalletto"

DPI

Dispositivo di protezione individuale

Forza risultante

La singola forza direzionale lineare uguale alla somma di tutte le forze applicate a un oggetto.

Sicurezza / assicuratore / Linea di backup

Una fune secondaria o un sistema utilizzato per sostenere il carico in caso di cedimento della linea principale.

WLL

Carico di lavoro limite - determinato dividendo il carico di rottura minimo (MBS) per un fattore di sicurezza designato dal costruttore

Linea “Laccio”

Linea utilizzata per impedire che un oggetto cada.

MARCATURE E TRACCIABILITA'

Marcature ed etichette delle gambe

Vedere Pagina 3 per i simboli.

1. Puleggia sulla gamba
2. L'etichetta del numero di serie fornisce il numero di identificazione univoco del prodotto e la data di fabbricazione.
3. Etichette numeriche su ogni gamba fornisce una rappresentazione visiva dell'impostazione dell'altezza di ogni gamba.
4. L'etichetta di certificazione fornisce un riferimento rapido agli standard di test, alle forze di rottura minime e ai dettagli del produttore.

Contrassegno borsa di trasporto

Conservare il Triskelion nella sacca da trasporto, con la testa rivolta nella stessa direzione illustrata.

INFORMAZIONI SUL TRISKELION CMC

Caratteristiche

1. Testa in acciaio saldata monolitica
2. Due pulegge in acciaio inox per reindirizzare corde o cavi fino a 13 mm di diametro
3. Tre punti di pareggio per armo o stabilizzazione
4. Tre punti di ancoraggio laterali della piastra
5. Gambe rettangolari regolabili con perni a sfera ad azione rapida
6. Piedini girevoli con battistrada aggressivo antiscivolo e becca integrata
7. Cinghia di trattenuta regolabile con fibbia Cobra Quick Release (non illustrato)
8. Borsa di trasporto (non illustrata)

Vedere Pagina 4 per la tabella delle specifiche e l'illustrazione.

ISTRUZIONI PER L'USO

ISTRUZIONI GENERALI PER LA SICUREZZA

1. Il Triskelion e le attrezzature associate devono sempre essere legato per evitarne la caduta dai bordi
2. Il Triskelion può diventare instabile o rovesciarsi se usato senza una valutazione della forza e della direzione risultanti. Potrebbero essere necessari ulteriori ancoraggi per garantire la completa stabilizzazione.
3. Assicurarsi che l'utente è in buona salute fisica e mentale, ed è addestrato e competente nell'uso del Triskelion. L'Utente deve avere tutti i DPI pertinenti per il lavoro prima di iniziare qualsiasi lavoro in altezza. I DPI possono includere, ma non limitatamente, un' imbragatura, un cordino con assorbitore di energia anticaduta, un casco, guanti e calzature appropriate.
4. Un piano di emergenza e soccorso è obbligatorio quando si lavora in altezza o in uno spazio confinato. Assicurati che l'intero team abbia familiarità con il piano di salvataggio e i loro ruoli.
5. Non modificare o manomettere il Triskelion in alcun modo. In questo modo la Garanzia verrà annullata.
6. Il Triskelion può essere riparato o mantenuto solo da CMC o da un agente di servizio qualificato e autorizzato.
7. Quando il Triskelion viene utilizzato come parte di un sistema anticaduta, l'Utente deve essere dotato di un sistema per limitare le massime forze dinamiche esercitate a se stessi durante l'arresto di una caduta ad un massimo di 6kN (1350 lbf).
8. Un sistema anticaduta con assorbitore di energia deve essere fissato a un punto di ancoraggio che si trova ad una altezza tale che che si tradurrà in una caduta libera minima e con il minimo tirante d'aria necessario, coerente con la capacità di chi lo indossa di svolgere i compiti assegnati.
9. Quando si effettua un collegamento a qualsiasi punto su un'imbracatura che non può essere visto da chi la indossa, la connessione deve essere effettuata prima di mettere l'imbracatura, o deve essere collegato o controllato per la sicurezza da una persona competente.
10. Per evitare un effetto pendolo durante una caduta, l'angolo massimo dal punto di ancoraggio nella parte superiore del Triskelion non deve superare i 15 gradi su entrambi i lati del centro del punto di ancoraggio.
11. Per motivi di sicurezza, il Triskelion deve essere trasportato e allestito da due o più persone.
12. Se una parte di un assieme deve essere esposta a sostanze chimiche come materiali caustici o atmosfere pericolose, l'Utente deve consultare CMC o il produttore per determinare se la parte è ancora adatta per l'uso successivo.



AVVISO

- L'Utente si assume tutte le responsabilità per qualsiasi utilizzo non standard del dispositivo o dei componenti utilizzati con il dispositivo.
- Il pericolo può sorgere e la funzionalità può essere compromessa combinando altri elementi di attrezzature in combinazione con il Triskelion durante l'uso.
- Non utilizzare il Triskelion se alcune parti sono mancanti o non sono state mantenute correttamente.

NOTA

Operare o esporre il Triskelion a temperature estreme, sostanze chimiche caustiche, ambienti pericolosi o una manipolazione o un trattamento poco attento può causare danni al dispositivo.

PRODOTTI COMPATIBILI

L'uso del Triskelion è limitato alle combinazioni di componenti approvati e registrati. Gli esempi includono:

1. Attrezzature certificate a EN, NFPA e altri standard del settore.
2. Componenti approvati e testati da CMC.

Altre combinazioni e componenti che non sono in grado di soddisfare tali norme non devono essere utilizzati in quanto possono compromettere il funzionamento sicuro del sistema.

Ulteriori informazioni relative agli ancoraggi portatili sono disponibili in NFPA 1500, NFPA 1858 e NFPA 1983.

PRIMA DI OGNI UTILIZZO

Ispezione utente

Il Triskelion deve essere ispezionato da una persona competente prima e dopo ogni utilizzo per garantire che funzioni correttamente e tutti i componenti siano liberi da danni. L'Utente deve anche fare riferimento al Manuale dell'utente in base alle esigenze. Una lista di controllo per l'ispezione pre-uso è fornita come guida a pagina 6, che può essere utilizzata in combinazione con i protocolli dell'agenzia approvata, o dell'azienda

Riferire eventuali segni di deterioramento a una persona autorizzata per una decisione sulla sicurezza e l'utilizzo del Triskelion. In caso di dubbio, segnalarlo e non utilizzarlo!

Per le ispezioni periodiche, fare riferimento alla sezione Ispezioni a pagina 13.



AVVISO

Non assemblare il Triskelion su una buca aperta. Erigere il Triskelion lontano da vuoti e bordi, quindi spostarlo nella posizione richiesta una volta che le gambe del Triskelion sono state estese e bloccate in posizione.

IMPOSTAZIONE DEL TRISKELION

Per motivi di sicurezza, il Triskelion deve essere trasportato e allestito da almeno due o più persone.

1. Controllare la superficie

- Assicurarsi che il substrato o il pavimento sotto i piedi Triskelion in grado di sostenere i carichi previsti (Figura 1).
- Attenzione ai pavimenti morbidi e non supportati. Gestisci questi di conseguenza.
- Il Triskelion ha piedi a rotazione con punte a spillo e soles gommate per adattarsi a diverse superfici.
- Utilizzare la cinghia di trattenuta per evitare che le gambe si allarghino.
- I picchetti sono disponibili come accessorio opzionale se i singoli piedi richiedono una stabilizzazione aggiuntiva (fare riferimento a pagina 15).

2. Assemblare il Triskelion

- Mantenere il Triskelion in posizione verticale ed estendere le singole gambe alla giusta altezza. Per estendere le gambe:
 - a. Deprimere il pulsante di rilascio del perno nella parte anteriore del perno e rimuoverlo dalla gamba (Figura 2).
 - b. Estendere o ritrarre le gambe per ottenere l'altezza desiderata. Una volta raggiunta l'altezza, allineare i fori e riposizionare i perni delle gambe.
- Controllare due volte che i perni gamba sono bloccati in posizione, e il Triskelion sia all'altezza corretta.
- Spostare il Triskelion nella posizione desiderata e divaricare le gambe sopra l'area per la larghezza richiesta.
- Infilare la cinghia di trattenuta attraverso ogni piede Triskelion, quindi fermare le due metà insieme (Figura 3). Stringere l'estremità libera per rimuovere qualsiasi allentamento nel cinturino. Questo impedisce alle gambe di divaricarsi verso l'esterno.



AVVISO

La regolazione delle gambe può essere un pericolo per il punto di impigliamento della mani. Tenere la sezione superiore della gamba piuttosto che la parte inferiore della gamba e tenere le dita fuori dai fori delle gambe.

3. **Mantenere livellata la testa del Triskelion**

- Su superfici piatte tutte le gambe saranno della stessa lunghezza.
- Su superfici irregolari le gambe possono essere di diverse lunghezze.
- Regolare la lunghezza di una o più gambe in modo che la testa di Triskelion sia livellata e direttamente sopra l'area di apertura o di lavoro.

Figura 4: Superficie piana

Figura 5: Superficie inclinata

Figura 6: Pavimento di diverse altezze

TRISKELION COME ANCORAGGIO ALTO

Esempio: con un dispositivo anticaduta retrattile

- Fissare l'anticaduta retrattile a un punto di ancoraggio sulla testa del triskelion (Figura 7 e 8).
- Mantenere il carico all'interno delle gambe Triskelion (Figura 7 e 8).
- Non movimentare un carico al di fuori delle gambe del Triskelion (Figura 9).

AVVISO

- Operando al di fuori delle gambe Triskelion può creare un'oscillazione laterale e rovesciare il treppiede. Mantenere il carico all'interno delle gambe.
- Per la sicurezza, verificare che vi sia una distanza adeguata e uno spazio libero sotto l'area di funzionamento in modo che in caso di caduta, l'Utente non venga a contatto con il suolo o altri ostacoli.

COLLEGAMENTO DI ACCESSORI ALLE GAMBE

Gli accessori approvati progettati per essere attaccati alla gamba Triskelion hanno aree specifiche in cui possono essere installati. Fare riferimento alle istruzioni per i singoli accessori per determinare dove possono essere attaccati.

Attacco dell'adattatore verricello Triskelion-LokHead

Il Triskelion-LokHead Winch Adapter è un accessorio opzionale ed è progettato per consentire al verricello Harken LokHead di essere montato e azionato con il Triskelion (fare riferimento a pagina 15).

Per collegare il verricello e l'adattator:

1. Determinare dove verrà posizionato il verricello LokHead sulla gamba Triskelion (Figura 10).

- Assicurarsi che sia selezionata una gamba con una puleggia. Queste gambe sono contrassegnate con un simbolo Pulley (puleggia) sopra la gamba
- Sulle etichette delle gambe rosse.

2. Determinare se la maniglia LokHead Winch deve essere orientata sul lato sinistro o destro e all'interno o all'esterno della gamba.

- Rimuovere i due perni rossi dall'adattatore e posizzarli sulla gamba, allineando i fori del perno nell'adattatore con i fori corrispondenti nella gamba Triskelion. Inserire nuovamente i perni rossi per fissare l'adattatore sul posto.
- Se si collega l'adattatore alla gamba superiore, il distanziatore non è necessario e deve essere rimosso prima di fissare l'adattatore alla gamba (Figura 11).

Se si collega l'adattatore ai fori superiori della gamba inferiore, il distanziatore è necessario per creare un adattamento aderente e deve essere fissato in posizione prima che l'adattatore sia fissato alla gamba (Figura 11).

Per adattare il distanziatore, orientate i due fori nel distanziatore con i fori del perno nell'adattatore. Inserire il distanziale dalla parte inferiore dell'adattatore. Montare le lingue del cursore attraverso la parte più ampia delle asole rettangolari, quindi farlo scorrere verso il lato opposto fino a quando il distanziale si impegna con un clic udibile.

3. Rimuovere il perno di blocco argentato dall'adattatore, quindi inserire il verricello LokHead nello slot dell'adattatore, assicurando che il ritaglio A nella piastra del verricello si adatti al perno saldato B all'interno dell'asola dell'adattatore (Figura 12).
4. Inserire nuovamente il perno di blocco argentato, utilizzando la parte inferiore dei due fori disponibili per fissare il verricello all'adattatore (Figura 12).

Attacco all'adattatore Triskelion-Salalift II

Il Triskelion-Salalift II Winch Adapter è un accessorio opzionale ed è progettato per consentire di montare il 3M DBI/SALA Salalift II Winch e utilizzarlo con il Triskelion (fare riferimento a pagina 15).

Per collegare il verricello e l'adattatore:

1. Attaccare l'adattatore alla gamba Triskelion inferiore utilizzando i due fori superiori più vicini alla gamba superiore (Figura 13).
 - Assicurarsi che sia selezionata una gamba con una puleggia. Queste gambe sono contrassegnate con un simbolo Pulley (puleggia) sopra gamba sulle etichette delle gambe rosse.

2. Rimuovere i due perni rossi dall'adattatore e posizzarli sulla gamba, allineando i fori del perno nell'adattatore con i fori corrispondenti nella gamba del Triskelion. Inserire nuovamente i perni rossi per fissare l'adattatore sul posto (Figura 14).
3. Rimuovere il perno di blocco dal dispositivo, quindi montare il verricello sulla staffa dell'adattatore assicurando che la asola A nella piastra del verricello si adatti al pin B saldato sull'adattatore (Figura 15).
4. Inserire nuovamente il perno di blocco per fissare il verricello sull'adattatore (Figura 16).

TRISKELION COME UN DEVIATORE

Per utilizzare il Triskelion come cambio di direzione:

- Utilizzare le pulegge integrate nella testa triskelion
- Oppure**
- Fissare una puleggia a un punto di ancoraggio sulla testa Triskelion.

La forza risultante è la bisettrice tra le fune/cavo che entra ed esce da una puleggia (Figura 17).

La forza risultante (indicata dalla linea tratteggiata) deve essere mantenuta all'interno del triangolo formato dai piedi quando non c'è un armo di stabilizzazione; in quanto può rovesciare il Triskelion.

Ciò si ottiene mantenendo la linea di carico parallela alle gambe e all'interno della cinghia di trattenuta.

Sicurezza / Assicuratore / Linea di backup omesso dalle figure 18, 19 e 20 per chiarezza.

Figura 18: Sistema di puleggia a cattura progressiva

Figura 19: Verricello

Figura 20: Allontanamento dalle gambe senza armo di stabilizzazione

‡ ci sono tre punti di attacco di stabilizzazione sulla testa Triskelion per gli utenti avanzati. L' armo di stabilizzazione non è trattato in questo manuale.

DUE PUNTI DI CONTATTO

Per la sicurezza in utilizzo anticaduta sono necessari due punti di contatto per l'utente:

1. Un mezzo primario di sostegno e
2. Un sistema di backup.

Le opzioni per i principali mezzi di supporto includono una scala, un verricello o un sistema di pulegge.

Se il mezzo principale di supporto avesse un cedimento, viene utilizzato un sistema di backup. Esempi di un sistema di backup includono una linea vita o un verricello oppure un anticaduta retrattile.

- **Figura 21:**
Primaria: Scala
Backup: Anticaduta retrattile
- **Figura 22:**
Primaria: Verricello
Backup: Anticaduta retrattile

ISPEZIONI

Per mantenere la sicurezza e l'utilizzabilità di questo prodotto, devono essere eseguite ispezioni regolari.

Ispezione utente

Ogni Utente deve essere addestrato nell'uso sicuro e nell'ispezione del Triskelion. Il Triskelion deve essere ispezionato da

una persona competente prima e dopo ogni uso per garantire che funzioni correttamente e che tutti i componenti siano sicuri da usare.

Una lista di controllo per l'ispezione pre-uso è fornita come guida a pagina 6 di questo manuale. Può essere utilizzato in combinazione con i protocolli dell'Azienda / Ente approvati.

Riferire eventuali segni di deterioramento a una persona competente e autorizzata per una decisione sulla sicurezza e la utilizzabilità del prodotto. In caso di dubbio, segnalarlo e non utilizzarlo!

Ispezioni periodiche

- Un'ispezione periodica deve essere effettuata ogni 6 mesi e almeno ogni anno da una persona competente. Le frequenze di ispezione possono essere aumentate a seconda della frequenza di utilizzo del dispositivo, delle condizioni ambientali, della legislazione e/o dei protocolli organizzativi. A pagina 14 è disponibile un elenco di controllo periodico per l'ispezione.
- Se una parte del sistema deve essere esposta a sostanze chimiche forti o atmosfere pericolose, l'utente deve consultare CMC o il produttore per determinare se la parte è adatta per continuare il servizio.
- Le ispezioni periodiche devono essere registrate nel registro di ispezione e manutenzione del prodotto. Un registro di esempio è disponibile a pagina 15.
- Si consiglia di contrassegnare il dispositivo con la data della sua prossima ispezione.



AVVISO

- Rimuovere il Triskelion dal servizio se è stato utilizzato per arrestare una caduta, o se avete qualche dubbio sulle condizioni del Triskelion per un uso sicuro. Non utilizzarlo di nuovo fino a quando non è stato ispezionato da CMC o da una persona adeguatamente addestrata e autorizzata e viene fornita una conferma scritta.



AVVISO

- Il Triskelion è stato progettato e testato utilizzando i componenti originali forniti. Non sostituire mai perni, bulloni o altri componenti forniti con parti non originali.

MANUTENZIONE

Pulizia del Triskelion

1. Lavare il Triskelion con acqua tiepida e un detergente neutro.
2. Sciacquare con acqua pulita.
3. Asciugare ad aria il Triskelion fuori dalla sacca di trasporto e non ripiegato in un'area asciutta, ombreggiata e ben ventilata. Non utilizzare ulteriori fonti di calore o soffiatori per asciugare il Triskelion.
4. Evitare il contatto con sostanze chimiche, oli, solventi e altri materiali o agenti corrosivi aggressivi.
5. Una volta che il Triskelion è asciutto, conservarlo nella borsa di trasporto.

STOCCAGGIO

La borsa di trasporto è progettata per un equilibrio ottimale quando si trasporta il Triskelion. Per garantire un corretto equilibrio, posizionare la testa Triskelion in base alla grafica di posizionamento situata all'interno della borsa. Conservare il Triskelion nella borsa di trasporto in una zona pulita e asciutta lontano dalla luce solare diretta, dalle sostanze chimiche e dagli elementi corrosivi.

TRASPORTO

Per evitare danni durante il trasporto, il Triskelion deve essere imballato nella sua borsa o in un contenitore o scatola appropriata.

MANUTENZIONE & PARTI DI RICAMBIO

I lavori di riparazione del Triskelion possono essere eseguiti solo da CMC o da un agente di servizio qualificato e autorizzato. Qualsiasi altro lavoro di riparazione o modifica al prodotto annulla la sua garanzia. Per assistenza o riparazioni, contattare il distributore CMC locale o l'assistenza clienti CMC.

Ricambi

I pezzi di ricambio elencati a pagina 13 possono essere sostituiti dall'Utente o dal Proprietario del Prodotto. Tutte le altre parti devono essere montate da CMC o da un agente di servizio addestrato e autorizzato.

ACCESSORI TRISKELION

Vedere Pagina 15 per una foto di ogni accessorio.

GRADINO

Il gradino si monta nella sezione inferiore della gamba Triskelion. Si tratta di un aiuto che consente all'operatore di raggiungere la testa Triskelion per regolare l'armo dopo l'installazione. **Parte n. 760010**

PICCHETTO

Il picchetto è progettato per fissare il piede del Triskelion. È ideale per applicazioni su terreno morbido come l'erba. **Parte n. 760011**

ADATTATORE VERRICELLO TRISKELION- LOKHEAD

L'adattatore consente di montare e utilizzare il verricello Harken LokHead con il Triskelion. **Parte n. 760012**

ADATTATORE VERRICELLO TRISKELION- SALALIFT II

L'adattatore consente di montare e utilizzare il verricello 3M DBI/SALA Salalift II con il Triskelion. **Parte n. 760014**

ESPAÑOL

RESPONSABILIDAD

Las actividades relacionadas con el uso de este dispositivo son inherentemente peligrosas. El Usuario asumirá todos los riesgos y responsabilidades por cualquier daño, lesión o muerte, que pueda ocurrir durante o después del uso incorrecto de este equipo. Este documento debe ser proporcionado al Usuario por el minorista en el idioma del país respectivo y debe conservarse con el equipo mientras esté en uso. Observe las regulaciones nacionales pertinentes.

Estas instrucciones explican el uso correcto de su equipo. Los símbolos de advertencia le informan de algunos peligros potenciales relacionados con el uso de su equipo, pero es imposible describirlos todos. Usted es responsable de prestar atención a cada una de las advertencias y de utilizar su equipo correctamente. Cualquier uso indebido de este equipo creará peligros adicionales. Póngase en contacto con CMC si tiene alguna pregunta o dificultad para entender estas instrucciones. Consulte cmcpro.com para obtener actualizaciones e información adicional.

Antes de utilizar este equipo, usted debe:

- Leer y entender las siguientes instrucciones y advertencias.
- Obtener el entrenamiento y las aptitudes específicas para su uso adecuado.
- Familiarizarse con sus capacidades y limitaciones.
- Entender y aceptar los riesgos implicados.
- Tener un plan de rescate para hacer frente a cualquier emergencia que pudiese surgir durante el uso del dispositivo.
- Ser físicamente apto para realizar estas actividades.
- Ser capaz de controlar su propia seguridad y cualquier situación de emergencia.

Comprobar el estado del equipo antes y después de usarlo.

Consulte la **pagina 2** para obtener información sobre el programa de cumplimiento de CE.

DECLARACIÓN DE GARANTÍA DE CMC

En caso de que su producto CMC llegara a tener un defecto de mano de obra o en los materiales, favor de ponerse en contacto con el Servicio al Cliente de CMC para obtener información y servicio para su garantía. La garantía de CMC no cubre daños causados por no tener el debido cuidado del equipo, uso inapropiado, alteraciones y modificaciones al mismo, daño accidental o la avería natural del material durante el uso prolongado y el tiempo. Toda reparación deberá ser realizada por CMC o por un Agente de Servicio capacitado y autorizado por CMC. Cualquier otra reparación o modificación anularán la garantía y liberan a CMC y al

fabricante de toda obligación y responsabilidad. CMC invita a los usuarios a mantener un registro de inspección para documentar la información pertinente como se sugiere en la tabla al final de este manual.

INFORMACIÓN DE SEGURIDAD



ADVERTENCIA

Las alertas de seguridad indican una situación potencialmente peligrosa que, si no se evita, podría causar lesiones o la muerte.

AVISO

Los avisos hacen hincapié en información importante, mas no peligrosa. El incumplimiento de los avisos podrá provocar daños en el producto o sus características.

GLOSARIO

Persona Competente

Una persona designada por su empleador quien, mediante entrenamiento y conocimiento, es capaz de identificar defectos, evaluar y abordar los peligros existentes y potenciales, y quien tiene autoridad para tomar medidas correctivas con respecto a tales peligros.

Correa Hobble (Hobble Strap)

Se utiliza para mantener las bases de las patas del trípode juntas y así evitar que dichas se separen.

Línea Principal (Main Line)

La línea principal que soporta la carga.

MBS

Resistencia Mínima a la Rotura, "MBS" por sus siglas en inglés: Minimum Breaking Strength.

NFPA

Asociación Nacional de Protección contra el Fuego, "NFPA" por sus siglas en inglés: National Fire Protection Association

Ancla Portátil (Portable Anchor)

Un dispositivo fabricado con patas rígidas diseñadas para soportar cargas humanas. También conocido como trípode o direccional artificial alto, (Artificial High Directional) (AHD).

EPI (PPE)

Equipo de Protección Individual, "PPE" por sus siglas en inglés: "Personal Protective Equipment".

Fuerza Resultante (Resultant Force)

La fuerza direccional lineal única igual a la suma de todas las fuerzas aplicadas a un objeto.

Línea De Seguridad / Línea de Respaldo (Safety / Belay / Backup Line)

Una cuerda o sistema secundario utilizado para soportar la carga en caso de que falle la línea principal.

WLL

Límite de Carga de Trabajo, "WLL" por sus siglas en inglés: Working Load Limit. Determinado dividiendo la resistencia mínima de ruptura (MBS) por un factor designado de seguridad.

Línea de seguridad (Tether Line)

Línea utilizada para evitar que un objeto caiga por un borde.

RASTREABILIDAD Y MARCAS

Señalamientos y etiquetas de las patas.

Consulte la página 3 para ver los símbolos.

1. Polea sobre las patas.
2. La etiqueta del número de serie proporciona el número de identificación único del producto y la fecha de fabricación.
3. Las etiquetas numéricas en cada pata proporcionan una representación visual del ajuste de altura de cada pata.
4. La etiqueta de certificación proporciona una referencia rápida a los estándares de prueba, la resistencia mínima a la ruptura y los detalles del fabricante.

Marcado de la bolsa de transporte

Almacene el Triskelion en su Bolsa de Transporte, con el cabezal orientado en la misma dirección que se ilustra.

SOBRE EL TRISKELION DE CMC

CARACTERÍSTICAS

1. Cabezal de acero fabricado de una sola pieza.
2. Dos poleas de acero inoxidable para re direccionar cuerdas o cables de hasta 13 mm de diámetro.
3. Tres puntos de amarre para el aparejo o la estabilización.
4. Placa lateral con tres puntos de anclaje.
5. Patas rectangulares ajustables con pasadores con bloqueo de bola de acción rápida.
6. Base de las patas pivotantes con una banda agresiva de huella antideslizante y un pico integrado.
7. Correa Hobble ajustable con hebilla de liberación rápida Cobra (Cobra Quick Release buckle). (No ilustrada)
8. Bolsa de Transporte. (No ilustrada)

Consulte pagina 4 para ver la Tabla de especificaciones e Ilustraciones.

INSTRUCCIONES DE USO

INSTRUCCIONES GENERALES DE SEGURIDAD

1. El Triskelion y el accesorio asociado deben estar siempre atados para evitar que caiga por los bordes.
2. El Triskelion puede volverse inestable o derrumbarse si se utiliza sin una evaluación de la fuerza y dirección resultantes. Es posible que se requiera un aparejo adicional para garantizar una estabilización completa.
3. Asegurarse de que el Usuario se encuentra en buena salud física y mental, y está capacitado y competente en el uso del Triskelion. El Usuario debe tener todos los EPI necesarios para el trabajo antes de iniciar cualquier trabajo en altura. El EPI puede incluir, pero no se limita a, un arnés, cinta amortiguadora, casco, guantes y calzado adecuado.
4. Es obligatorio contar con un plan de rescate cuando se trabaja en alturas o espacios confinados. Asegúrese de que todo el equipo esté familiarizado con el plan de rescate y sus funciones.
5. No modificar ni manipular el Triskelion de ninguna manera. Si lo hace, se anulará la Garantía.
6. El Triskelion solo puede ser revisado o reparado por CMC o un Agente de Servicio capacitado y autorizado.
7. Cuando el Triskelion se utiliza como parte de un sistema de detención de caídas, el usuario debe estar equipado con un medio para limitar las fuerzas dinámicas máximas ejercidas sobre si mismo durante la detención de una caída a un máximo de 6kN (1350 lbf).
8. Un conjunto de eslinga amortiguadora debe asegurarse a un punto de anclaje que esté a un nivel que resulte en la caída libre mínima y la distancia de caída total mínima compatible con la capacidad del usuario para realizar las tareas laborales.
9. Al realizar una conexión en cualquier punto de un arnés que no pueda ser visto por el usuario de dicho arnés, la conexión debe realizarse antes de ponerse el arnés, o debe ser conectado o revisado por una persona competente.
10. Para evitar un efecto de péndulo durante una caída, el ángulo máximo desde el punto de anclaje en la parte superior del Triskelion no debe exceder de 15° en cualquier lado del centro del punto de anclaje.
11. Por seguridad, el Triskelion debe ser transportado e instalado por dos o más personas.
12. Si alguna parte de un ensamble va a estar expuesta a productos químicos como materiales cáusticos o

atmósferas peligrosas, el usuario debe consultar a CMC o al fabricante para determinar si la pieza es adecuada para un uso continuo.



ADVERTENCIA

- El Usuario asume toda la responsabilidad por cualquier uso no adecuado del dispositivo o de los componentes que se utilizan con el dispositivo.
- Puede surgir peligro y la funcionalidad puede verse comprometida si se combinan otros elementos de equipo junto con el Triskelion durante el uso.
- No utilice el Triskelion si faltan piezas o si no se le ha hecho un mantenimiento correcto o debido.

AVISO

Operar o exponer el Triskelion a temperaturas extremas, sustancias químicas cáusticas, entornos peligrosos o su manejo o tratamiento ha sido excesivamente brusco puede causar daños en el dispositivo.

PRODUCTOS COMPATIBLES

El uso del Triskelion se limita únicamente a combinaciones de componentes aprobados y registrados. Algunos ejemplos son:

1. Equipos certificados por EN, NFPA y otros estándares de la industria.
2. Componentes aprobados y probados por CMC.

Otras combinaciones y componentes que no cumplan con estos estándares no deben utilizarse, ya que pueden comprometer el funcionamiento seguro del sistema.

Puede encontrar más información sobre los anclajes portátiles en NFPA 1500, NFPA 1858 y NFPA 1983.

ANTES DE CADA USO

INSPECCIÓN DE USUARIO

El Triskelion debe ser inspeccionado por una persona competente antes y después de cada uso para asegurarse de que funciona correctamente y todos los componentes están libres de daños. El usuario también debe consultar el Manual del Usuario las veces que sean necesarias. Se proporciona una lista de inspección previa como guía en la página 6, que se puede utilizar junto con los protocolos aprobados por su agencia.

Remitir cualquier signo de deterioro a una persona autorizada para tomar una decisión sobre la seguridad y la utilidad del Triskelion. **En caso de duda, ¡Etiquételo!**

Para inspecciones periódicas, consulte la sección de Inspecciones de la página 13.



ADVERTENCIA

No arme el Triskelion sobre una oquedad abierta. Erguir el Triskelion lejos de huecos y bordes, luego moverlo a la ubicación requerida una vez que las patas del Triskelion se hayan extendido y bloqueado en su lugar.

MONTAJE DEL TRISKELION

Por seguridad, el Triskelion debe ser transportado y armado por al menos dos o más personas.

1. Revisar la superficie.

- Asegúrese que la superficie o el suelo debajo de las patas del Triskelion pueda sostener las cargas previstas (Figura 1).
- Tenga cuidado con los suelos blandos y los pisos no adecuados. Manejese en consecuencia.
- El Triskelion tiene bases de patas pivotantes con puntas puntiagudas y suelas de goma para adaptarse a diferentes superficies.
- Use la Correa Hobble (Hobble Strap) para evitar que las patas se separen.
- Las Estacas para Tierra (Ground Stakes) están disponibles como accesorio opcional, en caso de que las bases de las patas requieran una estabilización adicional (consulte la página 15).

2. Armado del Triskelion

- Pon ga el Triskelion en posición vertical y extienda las patas individualmente a una altura adecuada. Para extender las patas:
 - a. Presione el botón de liberación del pasador en el cabezal y retírelo de la pata (Figura 2).
 - a. Extienda o retraiga las patas para alcanzar la altura deseada. Una vez alcanzada la altura, alinear los orificios y vuelva a insertar los pasadores en las patas.
- Compruebe dos veces que todos los pasadores de las patas estén bloqueados en su lugar, y el Triskelion está a la altura correcta.
- Mueva el Triskelion a la ubicación deseada y ajuste las bases de las patas sobre el área al ancho requerido.
- Inserte la Correa Hobble (Hobble Strap) a través de cada base del Triskelion, luego acorte las dos mitades juntas (Figura 3). Apriete el extremo suelto para quitar cualquier holgura en la correa. Esto evita que las patas se extiendan hacia afuera.



ADVERTENCIA

Ajustar las patas puede ser un peligro de pellizco. Sostenga la sección superior de la pata en lugar de la parte inferior de la pata, y mantenga los dedos fuera de los orificios de las patas.

1. Mantenga el nivel del cabezal del Triskelion.

- En superficies planas todas las patas tendrán la misma longitud.
- En superficies irregulares las patas pueden tener diferentes longitudes.
- Ajuste la longitud de una o más patas para que el cabezal del Triskelion esté nivelado y directamente sobre la abertura o el área de trabajo.

Figura 4: Superficie plana.

Figura 5: Superficie inclinada.

Figura 6: Suelo de diferentes alturas.

TRISKELION COMO UN ANCLAJE ALTO (HIGH ANCHOR)

Ejemplo: Con una línea de vida autorretráctil

- Fije la línea de vida autorretráctil al punto de anclaje en el cabezal de Triskelion (Figura 7 y 8).
- Mantenga la carga dentro de las patas de Triskelion (Figura 7 y 8).
- No utilice una carga fuera de las patas de Triskelion (Figura 9).



ADVERTENCIA

- Operar fuera de las patas del Triskelion puede crear un péndulo lateral y derribar el trípode. Mantenga la carga dentro de las patas.
- Por seguridad, verifique que haya una distancia adecuada y espacio libre por debajo del área de operación para que, en caso de caída, el Usuario no entre en contacto con el suelo u otros obstáculos.

ACCESORIOS DE FIJACIÓN A LAS PATAS

Los accesorios aprobados que están diseñados para ser unidos a las patas del Triskelion tienen áreas específicas donde se pueden ser instalados. Consulte las instrucciones de los accesorios individuales para determinar donde se pueden conectar cada uno.

Colocación del Adaptador del Cabrestante para el Triskelion-LokHead (Triskelion-LokHead Winch Adapter)

El Adaptador del Cabrestante para el Triskelion-LokHead (Triskelion-LokHead Winch Adapter) es un accesorio opcional y está diseñado para permitir que el Harken LokHead Winch se monte y opere con el Triskelion (consulte la página 15).

Para conectar el cabrestante (winch) al adaptador de cabrestante (winch adapter):

1. Determine dónde se colocará el cabestrante (winch) LokHead en la pata del Triskelion (Figura 10).
 - Asegúrese de que se haya seleccionado una pata con una polea. Estas patas están marcadas con un símbolo de polea.
 - En las etiquetas rojas de las patas.
2. Determine si el maneral del cabrestante (winch) LokHead debe orientarse en el lado izquierdo o derecho, y en el interior o exterior de la pata.
 - Retire los dos pines rojos del adaptador y colóquelos en la pata, alineando los orificios del pasador en el adaptador con los orificios correspondientes en la pata del Triskelion. Vuelva a insertar los pines rojos para fijar el adaptador en su lugar.
 - Si se conecta el adaptador a la parte superior de la pata, el espaciador no es necesario y debe retirarse antes de fijar el adaptador a la pata (Figura 11).
 - Si se conecta el adaptador a los orificios superiores de la pata inferior, el espaciador es necesario para crear un ajuste ceñido y debe fijarse en su lugar antes de que el adaptador se fije a la pata (Figura 11).

Para ajustar el espaciador, orientar los dos orificios en el espaciador con los orificios del pasador en el adaptador. Inserte el espaciador desde la parte inferior del adaptador. Coloque las lengüetas deslizantes a través de la parte más ancha de las ranuras rectangulares y, a continuación, deslícelas hacia el lado opuesto hasta que el espaciador se enganche con un clic audible.

3. Retire el pasador plateado de bloqueo del adaptador del cabrestante, luego inserte el LokHead Winch en la ranura del adaptador, asegurando que el recorte A

en la placa del cabrestante encaje alrededor del pin B soldado dentro de la ranura del adaptador (Figura 12).

4. Vuelva a insertar el pasador plateado de bloqueo, utilizando la parte inferior de los dos orificios disponibles para fijar el cabrestante al adaptador (Figura 12).

Colocación del adaptador Triskelion-Salalift II Winch

El Adaptador Triskelion-Salalift II Winch es un accesorio opcional y está diseñado para permitir que el cabrestante de 3M DBI/SALA Salalift II Winch se monte y utilice con el Triskelion (consulte la página 15).

Para conectar el adaptador de cabrestante (winch adapter) y cabrestante (winch):

1. Fije el adaptador en la parte de la pata inferior del Triskelion utilizando los dos orificios superiores más cercanos a la pata superior (Figura 13).
 - Asegúrese de que se haya seleccionado una pata con una polea. Estas patas están marcadas con un símbolo de polea en las etiquetas rojas de las patas.
2. Retire los dos pasadores rojos del adaptador y colóquelos en la pata, alineando los orificios del pasador en el adaptador con los orificios correspondientes en las patas del Triskelion. Vuelva a insertar los pines rojos para fijar el adaptador en su lugar (Figura 14).
3. Retire el pasador de bloqueo del dispositivo, luego coloque el cabrestante (Winch) sobre el soporte del adaptador asegurando que el recorte A en la placa del cabrestante encaje alrededor del pin B soldado en el adaptador (Figura 15).
4. Vuelva a insertar el pasador de bloqueo para fijar el cabrestante al adaptador (Figura 16).

TRISKELION COMO CAMBIO DE DIRECCIÓN

Para utilizar el Triskelion como cambio de dirección:

- Utilice las poleas integradas en el cabezal del Triskelion
-
- Fije una polea a un punto de anclaje en el cabezal del Triskelion.

La fuerza resultante divide la cuerda/cable que entra y sale de una polea (Figura 17).

La fuerza resultante (indicada por la línea discontinua) debe mantenerse dentro del triángulo formado por las bases cuando no hay aparejos de estabilización, ya que puede derribar el Triskelion.

Esto se logra manteniendo la línea de acarreo paralela a las

patas y dentro de la Correa Hobble (Hobble Strap).

La Línea de Seguridad / Línea de respaldo (Safety / Belay / Backup Line) omitida de las Figuras 18, 19 y 20 para mayor claridad.

Figura 18: Sistema de poleas de captura de progreso.

Figura 19: Cabrestante (Winch)

Figura 20: Jalar hacia fuera de las patas sin aparejos de estabilización

‡ Hay tres puntos de fijación de estabilización en el cabezal Triskelion para usuarios avanzados. El aparejo de estabilización no está cubierto en este manual.

DOS PUNTOS DE CONTACTO

Se necesitan dos puntos de contacto con el usuario para una mayor seguridad en la altura:

1. Un medio de soporte principal y
2. Y un sistema de respaldo.

Las opciones para los medios de soporte principal incluyen una escalera, un cabrestante o polea.

Se utiliza un sistema de apoyo si llegase a fallar el medio principal de apoyo. Los ejemplos de un sistema de respaldo incluyen una línea de vida autoretráctil o un cabrestante.

- **Figura 21:**
Principal: Escalera
Respaldo: Línea de vida auto retráctil
- **Figura 22:**
Principal: Cabrestante
Respaldo: Línea de vida Auto retráctil

INSPECCIONES

Para mantener la seguridad y la utilidad de servicio de este producto, se deben realizar inspecciones periódicas.

Inspección por parte de los Usuarios

Cada Usuario debe ser entrenado en el uso seguro y la inspección del Triskelion. El Triskelion debe ser inspeccionado por una persona competente antes y después de cada uso para asegurarse de que funciona correctamente y que todos los componentes son seguros de usar.

Se proporciona una lista de verificación de inspección previa al uso como guía en la página 6 de este manual. Se puede utilizar junto con los protocolos aprobados por su organización.

Refiera cualquier signo de deterioro a una persona competente y autorizada para la toma de decisión sobre la seguridad y la utilidad de servicio del producto. **En caso de duda, ¡Etiquetar!**

Inspecciones Periódicas

- Una persona competente debe realizar una inspección periódica cada 6 meses o al menos anualmente. Los periodos de inspección pueden aumentar en función de la frecuencia con la que se utilice el dispositivo, las condiciones ambientales, la legislación y/o los protocolos de la organización. Se proporciona una Lista de verificación de inspección periódica en la página 14.
- Si alguna parte del sistema va a estar expuesta a productos químicos agresivos o atmósferas peligrosas, el Usuario debe consultar con CMC o con el fabricante para determinar si la pieza es adecuada para continuar con su uso.
- Las inspecciones periódicas deben registrarse en el registro de inspección y mantenimiento del producto. Se proporciona un ejemplo de registro en la página 15.
- Se recomienda etiquetar el dispositivo con la fecha de su próxima inspección.



ADVERTENCIA

- Retire el Triskelion de servicio si se ha utilizado para detener una caída, o si tiene alguna duda sobre el estado del Triskelion para un uso seguro. No lo utilice de nuevo hasta que haya sido inspeccionado por CMC o por una persona debidamente capacitada y autorizada y se proporcione una confirmación por escrito.
- El Triskelion ha sido diseñado y probado utilizando los componentes originales suministrados. Nunca reemplace los pasadores, pernos u otros componentes suministrados por piezas no originales.

MANTENIMIENTO

Limpieza del Triskelion

1. Lave el Triskelion con agua tibia y un detergente suave.
2. Enjuague con agua limpia.
3. Seque al aire libre el Triskelion en un área seca, sombreada y bien ventilada. No utilice fuentes de calor ni sopladores adicionales para secar el Triskelion.
4. Evite el contacto con productos químicos, aceites, disolventes y otros materiales o agentes corrosivos agresivos.
5. Una vez que el Triskelion esté seco, guárdelo en la bolsa de transporte.

ALMACENAMIENTO

La bolsa de transporte está diseñada para un equilibrio óptimo cuando se lleva el Triskelion. Para garantizar un equilibrio adecuado, coloque el cabezal Triskelion según

el gráfico de colocación situado en la parte interior de la bolsa. Almacene el Triskelion en la bolsa de transporte en un área limpia y seca lejos de la luz solar directa, los productos químicos y los elementos corrosivos.

TRANSPORTE

Para evitar daños durante el transporte, el Triskelion debe empacarse en su bolsa o en un contenedor o caja apropiados.

SERVICIO Y PARTES

Los trabajos de reparación del Triskelion solo pueden ser realizados por CMC o un agente de servicio capacitado y autorizado. Cualquier otro trabajo de reparación o modificación del producto anulará su garantía. Para servicios o reparaciones, póngase en contacto con su distribuidor local de CMC o con el Servicio de Atención al Cliente de CMC.

Piezas de Repuesto

Las piezas de repuesto enumeradas en la página 13 pueden ser sustituidas por el Usuario o el Propietario del Producto. Todas las demás piezas deben ser instaladas por CMC o un Agente de Servicio capacitado y autorizado.

ACCESORIOS PARA EL TRISKELION

Consulte la página 15 para la foto de cada accesorio.

SOPORTE O ESCALÓN

El soporte o escalón (foot step) se monta en la sección inferior de la pata del Triskelion. Es una ayuda que permite al operador llegar al cabezal del Triskelion para ajustar el aparejo después de la preparación.

Parte # 760010

ESTACA PARA TIERRA

La Estaca para Tierra (Ground Stake) está diseñada para asegurar la base de la pata del Triskelion. Es ideal para aplicaciones de tierra blanda como césped.

Parte # 760011

ADAPTADOR DE CABRESTANTE TRISKELION- LOKHEAD

El adaptador permite montar el Harken LokHead Winch y utilizarse con el Triskelion.

Parte # 760012

ADAPTADOR DE CABRESTANTE TRISKELION- SALALIFT II

El adaptador permite montar y utilizar el 3M DBI/SALA Salalift II Winch con el Triskelion.

Parte # 760014

NORSK

ANSVAR

Aktiviteter som involverer bruk av dette produktet, er farlige. Brukeren er selv ansvarlig for materielle skader, personskader eller død, som kan forekomme ved bruk og eller feilbruk av dette produktet. Denne brukerveiledningen skal være tilgjengelig for bruker av produktet i de respektive lands språk og skal oppbevares sammen med produktet i hele dets levetid.

Denne brukerveiledningen forklarer korrekt bruk av dette utstyret. Advarselssymbolene informerer brukeren om noen av de mulige farene ved bruk av dette utstyret, men det er ikke mulig å beskrive alle. Du er som bruker selv ansvarlig for å bruke utstyret korrekt og ta hensyn til de farer som er nevnt. Feilbruk av dette utstyret vil medføre ytterlig risiko. Kontakt CMC om det er noen spørsmål knyttet til denne brukerveiledningen. Se cmcpro.com for oppdateringer og ytterlig informasjon.

Før dette utstyret blir tatt i bruk, må du:

- Lese og forstå denne brukerveiledningen og de farer som er beskrevet her.
- Sørg for å få spesifikk opplæring i bruk av dette utstyret.
- Gjøre deg kjent med produktets egenskaper og begrensninger.
- Forstå og akseptere risikoen involvert i bruken av dette utstyret.
- Ha en redningsplan klar dersom det skulle oppstå en situasjon som krever det under bruk av utstyret.
- Være helsemessig skikket for disse aktivitetene.
- Være i stand til å ivareta din egen sikkerhet og eventuelle nødssituasjoner.

Kontroller utstyret før og etter bruk.

Se side 2 for informasjon om CE samsvar.

CMC GARANTI

Om CMC produktet du har mottatt er defekt på grunn av produksjon eller materiale, kontakt CMC kundeveileder for garanti informasjon og service. CMCs garanti dekker ikke skader som forekommer av feil lagring, feil bruk, modifisering eller endring av produktet. Garantien dekker heller ikke skade som følge av uhell eller slitasje som kommer av langvarig bruk. All reparasjon skal bli utført av CMC eller en autorisert forhandler. All annen reparasjon eller modifisering ugyldiggjør garantien og fritar CMC og produsent fra alt ansvar. CMC oppfordrer bruker til å føre log over de kontrollene av produktet som er blitt gjennomført. Se tabell på slutten av denne brukerveiledningen.

SIKKERHETSINFORMASJON



ADVARSEL

Sikkerhetsvarsler beskriver mulige farlige situasjoner. Dersom disse ikke blir unngått og/eller tatt hensyn til, kan disse medføre skade eller død.

OBSERVER

Observer vektlegger viktige punkter som ikke nødvendigvis fører til farlige situasjoner, men kan føre til materielle skader på utstyret eller annet.

ORDLISTE

Kompetent Person

En person som har fått opplæring i bruk og kontroll av utstyret fra produsent eller godkjente leverandører. En person som kan avdekke og identifisere eksisterende og mulige farer forbundet med produktet og kan utbedre eller kassere utstyret i forhold til disse.

Fikseringsstropp

Brukes til å fikserer trefotens føtter sammen for å hindre at disse kollapser

Hovedline

Linen som bærer lasten

MBS

Minimum brudd styrke

NFPA

National Fire Protection Association

Flyttbar Foarnkringsanordning

Produkt med faste føtter som er designet for løft av personer. Kjent som tripod/trefot.

PVU

Personlig verneutstyr.

Resultantkraft

Resultatet av to eller flere krefter som virker på et legeme.

Backup / Sikkerhetsline

En sikkerhetsline eller system som vil sikre lasten dersom hovedlinen svikter.

WLL

Working Load Limit- avgjøres ved å dele MBS på en gitt sikkerhetsfaktor.

Bardunerings / Fikseringsline

En eller flere liner som bardunerer /fikserer trefoten.

SPORBARHET OG MERIKING

Merking (se side 3 for symboler)

- Trinse over fot
- Serienummermerkingen viser produktets unike nummer og produksjonsdato.
- Nummer på hvert av bena gir en visuell indikasjon på innstilling av høyden på hvert ben.
- Sertifiseringsmerkingen gir en hurtig referanse til teststandarder, minimum bruddstyrke, og produsentens kontakinfo.

MERKING PÅ BÆREVESKE

- Oppbevar Triskelion i bærevesken som beskrevet.

OM CMC TRISKELION

EGENSKAPER

1. Stålhode produsert i et stykke
2. To trinser i rustfritt stål for bruk med tau eller wire opp til 13 mm
3. Tre fikseringspunkter for rigging og stabilisering
4. Forankringspunkt på alle tre sidene
5. Rektangulære, justerbare føtter med festepinner med hurtiglås
6. Bevegelige føtter med integrert pigger og sklissikkert mønster
7. Justerbar fikseringsstropp med Cobra hurtigkoblings-spenner (ikke illustrert)
8. Bæreveske (ikke illustrert)

Se side 4 for spesifikasjoner og illustrasjoner.

BRUKERVEILEDNING

GENERELLE SIKKERHETS VEILEDNING

1. Triskelion og tilhørende komponenter må alltid være fiksert for å hindre at den kollapser eller faller over kanter.
2. Triskelion kan bli ustabil eller velte derom det ikke blir tatt hensyn til resultantkraften og dens retning under bruk. Dette kan i noen tilfeller kompenseres for med ekstra rigging
3. Det skal sikres at bruker av produktet er i god fysisk og psykisk form og er øvet og kompetent i bruken av Triskelion. Brukeren bør ha all relevant PVU før arbeid i høyden utføres.
4. Det er pålagt med en risikovurdering og redningsplan før arbeid i høyden og lukket rom skal utføres. Sørg for at alle involverte er kjent med redningsplanen og sin rolle dersom det den blir tatt iverksatt.
5. Ikke modifier eller endre på konstruksjonen av Triskelion på noen som helst måte. Dette vil ugyldiggjøre

garantien.

6. Reparasjoner og service av Triskelion kan bare utføres av CMC eller en autorisert forhandler.
7. Dersom Triskelion brukes i et fallsikringsystem, må brukeren være utstyrt med utstyr som vil dempe et eventuelt fall til maksimalt 6kN.
8. En fangline med falldemper bør være festet i et forankringspunkt som vil gi minst mulig fall-lengde.
9. Utfør kameratsjekk før arbeid i høyden.
10. For å unngå pendeleffekt etter et fall, bør det være maksimalt en vinkel på 15° fra bruker til forankringspunktet i toppen av Triskelion.
11. Triskelion bør bæres og settes opp av to personer.
12. Dersom Triskelion skal settes opp i et miljø med kjemikalier eller fiendtlig atmosfære må bruker ta kontakt med CMC eller leverandør for bekreftelse på om Triskelion kan benyttes.



ADVARSEL

- Bruker bærer alt ansvar dersom utstyret og dets komponenter brukes til ikke-standardiserte oppgaver.
- Annet utstyr som benyttes med Triskelion kan medføre skade på Triskelion eller ytterlige farer.
- Ikke bruk Triskelion dersom noen av delene er ødelagt eller mangler.

OBSERVER

Bruk i, eller eksponering av Triskelion for ekstreme temperaturer, kjemikalier, fiendtlige atmosfære eller overdreven hard bruk eller behandling kan skade produktet.

KOMPATIBLE PRODUKTER

Bruk av Triskelion i kombinasjon med andre komponenter er begrenset til godkjente og registrerte produkter. F.eks.:

1. Utstyrt godkjent etter EN, NFPA, eller andre industrielle standarder.
2. Komponenter som er godkjent eller testet av CMC.

Andre kombinasjoner og komponenter som ikke følger disse standardene bør ikke brukes da dette kan kompromittere sikker bruk av systemet.

Videre informasjon omhandlende flyttbare forankringsanordninger kan finnes i EN 795-standardens.

FØR HVER BRUK

Brukerkontroll

Triskelion skal kontrolleres av brukeren før og etter hver bruk for å sikre at den og dens komponenter fungerer og ikke er skadet. Brukeres skal sette seg inn i brukerveiledningen når dette er nødvendig. En førbruks sjekkliste er tilgjengelig på side 6.

Er det skade eller slitasje på Triskelion skal denne kontrolleres av en kompetent person og eller tas ut av bruk. For periodisk kontroll se side 13.

FØRBRUKS SJEKKLISTE	
Passer føttene sammen og kan de justeres uten å bruke makt?	
Er bena bøyd, sprukket eller deformert?	
Er alle komponenter og bolter tilgjengelig?	
Er alle bolter i god stand og fungerer som de skal?	
Er trinsen i god stand og fungerer tilstrekkelig?	
Er det noen av plastdelene som viser tegn til slitasje eller kjemisk skade?	
Er skoen og fikseringshullene skadet eller deformert, eller er det skarpe kanter på disse?	
Er den justerbare fikseringsstroppen tilgjengelig og i god stand?	

 **ADVARSEL**

Ikke monter Triskelion over et åpent hull. Triskelion monteres et egnet sted og føres ferdig montert til plassen den skal benyttes

MONTERING AV TRISKELION

1. Vurder underlaget

- Sørg for at underlaget eller gulvet Triskelion-føttene står på vil tåle vekten av lasten som forankres i Triskelion.
- Vår oppmerksom på mykt underlag. Kompenser for dette ved behov.
- Triskelion har bevegelige sko med pigger og gummierte såler for å stå stabilt på de fleste underlag.
- Bruk fikseringsstroppen for å hindre at bena kollapser eller sklir fra hverandre.
- Plugger er tilgjengelig som ekstrautstyr dersom føttene krever ytterlig stabilisering.

2. Montering av Triskelion

- La Triskelion så oppreist og tilpass ønsket lengde på føttene.
 - a. Trykk inn utløserknappen på monteringsbolten og fjern den fra foten (figur 2).

b. Tilpass lengden på foten for å oppnå ønsket høyde. Når ønsket høyde er oppnådd, sett monteringsboltene inn i foten igjen.

- Sjekk at alle monteringsboltene er montert riktig, er låst og at Triskelion er i ønsket høyde.
- Flytt Triskelion til ønsket plass, og slå ut føttene til ønsket bredde.
- Tre fikseringsstroppen gjennom hver av Triskelions føtter, monter den sammen og stram. Dette hindrer føttene i å kollapse utover.

 **ADVARSEL**

Tilpassing av føttene kan medføre klemfare. Ta tak i øvre del og ikke nedre del av foten når den justeres og hold fingrene i avstand fra monteringshullene.

3. Hold Triskelion-hode plant.

- På jevnt underlag, vil alle føttene ha lik lengde.
- På ujevnt underlag kan føttene ha ulik lengde.
- Tilpass lengden på en eller flere av føttene slik at Triskelion-hodet er plant direkte over åpningen eller arbeidsområdet.

Figur 4: Jevnt underlag

Figur 5: underlag med helning

Figur 6: Underlag med ujevn høyde

TRISKELION SOM OVERHØYDE

Eksempel: Med en fallblokk

- Fest fallblokken i forankringspunktet på Triskelion-hode (figur 7 og 8).
- Hold den potensielle belastningen innenfor Triskelion-føttene (figur 7 og 8).
- Ikke forskyv last til utsiden av planet dannet av Triskelion-føttene (figur 9).

 **ADVARSEL**

Dersom lasten eller den potensielle lasten kommer utenfor planet dannet av Triskelion-føttene kan det føre til at trefoten velter. Hold lasten innenfor føttene

- Før bruk verifiser at det er nok overhøyde og ingen hindringer under arbeidsplassen, slik at et eventuelt fall ikke vil treffe bakken eller andre hindringer (se brukerveiledning på fallblokk/fangline e.l. som brukes)

MONTERE TILLEGGSUTSTYR PÅ FØTTENE

Godkjent tilleggsutstyr som er ment til å feste på Triskelion har bestemte områder hvor dette kan installeres. Se tilleggsutstyrets brukerveiledning for informasjon om dette.

Montering av Triskelion-LokHead Winch Adapter

Triskelion-LokHead Winch Adapter er tilleggsutstyr og er designet for å montere og bruke Harken LokHead Winch sammen med Triskelion (se side 15).

For montering av vinsj og vinsjadapter:

1. Avgjør hvor på Triskelion-foten LokHead Winch skal plasseres (figur 10).
 - Forsikre deg om at en fot med trinse er valgt. Disse føttene er merket med Pulley over Leg-symbol på det røde fotmerket.
 - Avgjør om LokHead Winch sveiven skal være på venstre eller høyre side og på innsiden eller utsiden.
2. Fjern de to røde monteringsboltene fra adapteren og plassere den på foten, tilpass hullene på adapteren og foten. Monter monteringsboltene igjen.
 - Dersom adapteren plasseres på øverste del av foten, trengs ikke foringskiven og denne fjernes før adapteren festes (figur 11).
 - Dersom adapteren plasseres på nedre del av foten er det behov for foringskiven for å oppnå god kontaktflate med foten (figur 11).

For å feste foringskiven, tilpass hullene i foringskiven med hullene i adapteren. Plasser foringskiven fra adapterens underside. Tilpass foringskiven gjennom den bredeste delen av de rektangulære sporene, før denne over til motsatt side slik at foringskiven kobles på med et «klikk».

3. Fjern den sølvfargede låsebolten fra vinsjadapteren, plasser deretter LokHead Winch i adapter sporet. Forsikre deg om at åpning A på vinsjplaten passer med sveiset bolt B innsiden av adaptersporet (figur 12).
4. Fest den sølvfargede låsebolten igjen ved å bruke de to nederste ledige hullene for å feste vinsjen til adapteren (figur 12).

Montering av Triskelion-Salalift II Winch Adapter

Triskelion-Salalift II Winch Adapter er tilleggsutstyr og er designet for å bruke 3M DBI SALA Salalift II Winch sammen med Triskelion (se side 15).

For å feste vinsj og vinsjadapter:

1. 1. Monter adapteren til nederste del av Triskelion foten. Benytt hullene som er nærmest øverste del av foten (figur 13).
 - Forsikre deg om at en fot med trinse er valgt. Disse føttene er merket med Pulley over Leg-symbol på det røde fotmerket.
2. Fjern de to røde monteringsboltene fra adapteren og plassere den på foten, tilpass hullene på adapteren og foten. Monter monteringsboltene igjen (figur 14).
3. Fjern låseboltene fra enheten, tilpass vinsjen med adapteren ved å forsikre deg at åpning A på vinsjplaten passer med sveiset bolt B på innsiden av adaptersporet (figur 15).
4. Fest den sølvfargede låsebolten igjen ved å bruke de to nederste ledige hullene for å feste vinsjen til adapteren (figur 16)

TRISKELION SOM RETTNINGSENDRING

For å bruke Triskelion som retningsendring:

- Bruk de integrerte trinsene i Triskelion-hode.

ELLER

- Fest en trinse i et forankringspunkt i Triskelion-hode.

Resultanten vil krysse tauet/ kabelen som føres inn og kommer ut av trinsen (figur 17).

Resultanten (den stiplede linjen) må holdes innenfor triangelområdet som dannes av føttene dersom det Triskelion er ikke bardunert for å kompensere for dette. Om ikke vil Triskelion velte.

Dette oppnås ved å holde halelinen parallelt med føttene og innenfor av fikseringsstroppen.

Sikring-/ sikkerhets-/ backup-line er ikke vist på figur 18,19 og 20 for forenkling.

Figur 18: Ferdig montert talje.

Figur 19: Vinsj

Figur 20: Drag utenfor føttene uten bardunering.

Det er tre barduneringspunkter på Triskelion-hode for avanserte/kompetente brukere. Dette er ikke dekket i denne brukerveiledningen.

BRUKERVEILEDNING FOR BRUK AV TO BARRIERER

For sikker ferdsel i høyden er to barrierer nødvendig:

1. En aktiv barriere
2. En passiv/backup barriere.

Mulig aktive barrierer er leder, vinsj eller talje

En passiv-/ backup-barriere benyttes for å fange opp ett fall dersom den aktive barrieren skulle svikte. Eksempler på dette fallblokk eller vinsj.

- **Figur 21:**
Aktivt: leder
Passivt: fallblokk
- **Figur 22:**
Aktiv: vinsj
Passiv: fallblokk

KONTROLL

For å opprettholde service og sikkerhet, kreves det regelmessig kontroll av produktet.

Brukerkontroll

Alle som bruker Triskelion skal ha nødvendig og tilstrekkelig opplæring. Triskelion skal kontrolleres av en kyndig person før og etter hvert bruk for å sikre at den fungerer korrekt og at alle komponenter er trygge å bruke.

En før-bruks sjekkliste er å finne på side 6 i denne manualen.

Dersom det er skade eller slitasje på et eller flere komponenter skal Triskelion sjekkes av produsent eller en kompetent person. Dersom det er tvil, skal produktet tas ut av bruk og/eller kasseres.

Periodisk inspeksjon

- En periodisk kontroll bør gjennomføres hver 6. måned og minimum hver 12. måned av en kompetent person. Inspeksjons frekvens kan være hyppigere avhengig av hvor ofte enheten er i bruk, miljø den blir brukt i, lokale retningslinjer, bedriftsinterne instruksjoner. En sjekkliste for periodisk kontroll finnes på side 14.
- Dersom utstyret skal utsettes for kraftige kjemikalier eller fiendtlig atmosfære, bør bruke konsultere CMC eller leverandør.
- Det oppfordres til å føre logg over periodisk inspeksjon og vedlikehold. Et forlag til logg finnes på side 15.
- Det er anbefalt å merke enheten med dato for neste inspeksjon.



ADVARSEL

- Dersom Triskelion har blitt brukt til å fange opp et fall, eller om det finnes noen tvil om at Triskelion er trygg å bruke, skal den inspiseres av CMC eller autorisert person. Skriftlig bekreftelse på at dette er gjennomført skal legges ved.
- Triskelion er konstruert og testet med de originale delene som følger med. Bytt aldri ut bolter eller andre komponenter med uoriginale deler. Det er heller ikke tillatt å modifisere Triskelion.

VEDLIKEHOLD

Rengjøring av Triskelion

1. Triskelion vaskes med varmt vann og en mild såpe.
2. Rens med rent vann
3. La Triskelion lufttørke i et godt ventilert rom, i romtemperatur. Ikke bruk ekstra varmluft vifter for å tørke Triskelion.
4. Unngå kontakt med kjemikalier, oljer, løsemiddel og andre korroderende materialer.
5. Når Triskelion er tørr, oppbevares den i medfølgende bæreeske.

OPPBEVARING

Den medfølgende bæreesken er designet for best mulig balanse når Triskelion bæres. Pakk derfor Triskelion som anvist med grafikken på innsiden av vesken. Oppbevar Triskelion i den medfølgende bæreesken i rent, tørt rom. Unngå også direkte sollys, kjemikalier og korroderende materialer.

TRANSPORT

For å unngå skade under transport, bør Triskelion pakkes i medfølgende bæreeske eller en passende kasse eller container.

SERVICE OG DELER

Reparasjoner av Triskelion skal bare utføres av CMC eller godkjent, og autorisert reparatør. Alt annet arbeid eller modifikasjoner som er utført på produktet ugyldiggjør garantien. For service eller reparasjoner, kontakt din lokale CMC leverandør eller CMC Customer Support.

Reservedeler

Reserve delene som er vist på side 13 kan byttes av bruker eller eier av produktet. Alle andre deler må være montert av CMC eller autorisert reparatør.

SJEKKLISTE FOR PERIODISKKONTROLL

	INSPEKSJON	HANDLING HVIS SKADE
FØTTER OG BOLTER	Er det skade som sprekker, bulker eller hull?	Ta ut av bruk for videre inspeksjon og reparasjon
	Passer delene til føttene sammen og kan de justeres enkelt?	
	Viser boltehullene åpenbare skader, forlengelse, eller åpenbare fordypninger runde boltehullet?	Ta ut av bruk dersom fordypninger er dypere enn 0.5mm (0.02")
	Fungerer låsepinnene optimalt? Åpner låsen seg når knappen trykkes inn?	Ta ut av bruk for reparasjon
	Kontroller sikkerhetslinen til låsepinnene	Skift ut hvis skadet
	Hindrer stopperpakningen innertuben fra å kunne dras av yttertuben på føttene?	Ta ut av bruk for reparasjon
	Er serienummer lesbar?	Kontakt CMC service hvis serienummer ikke er lesbart
	Er merket med vektinformasjon lesbar?	Erstatt hvis uleselig
HODET	Er hodet sikkert festet til Triskelion-føttene? Er alle innfestninger på plass og strammet?	Ta ut av bruk for inspeksjon derom noe er løst
	Se over hele hodet etter skade og bulker. Normal slitasje er akseptabelt	Returner til CMC eller en autorisert leverandør eller service-partner, eller kasser dersom hodet er åpenbart skadet.
	Ruller trinsene fritt med lite eller ingen motstand?	Ikke bruk dersom skadet.
	Sjekk for skader eller slitasje i fordypningen av trinsene. Er det skade eller skarpe kanter?	
	Er sperreboltene festet til hodet? Fungerer de som de skal?	Bytt ut sperrebolt om de har skader eller mangler
	Viser sperreboltene tegn til korrosjon eller er skitt	Rens og smør med Teflon-basert smøremiddel
SKO	Er skoen og fikseringshullene på disse skadet eller deformert, eller er det skarpe kanter på disse?	Bytt ut skoen om skadet
	Er gummisålene slitt eller skadet?	
FIKSERINGSTROPP	Er det tegn til kutt, overbelastning, råte, kjemikalie, varme eller UV-skader?	Bytt ut om skadet
	Er sømmene slitt, er det varmeskader på disse eller på annen måte svekket	
	Er spennene bøyd, sprukket eller på annen måte skadet?	

TILLEGGSTYR TRISKELION

Se side 15 for bilder av tilleggsstyr.

Fottrinn

Fottrinnet festes til nedre del av Triskelion-foten. Dette er til hjelp for at operatøren kan nå toppen og justere rigging og innfestet ekstrastyr etter at Triskelion er satt opp.

Part # 760010

Bakkeplugg

Designet for å sikre Triskelion-foten. Er godt egnet i mykt underlag som gress.

Part # 760011

Triskelion- Lockheed vinsjadapter

Adapteren gjør det mulig å koble til Harken LokHead Winch og bruke denne med Triskelion.

Part # 760012

Triskelion – Salalift II vinsjadapter

Adapteren gjør det mulig å koble til 3M DBI/SALA Salalift II Winch og bruke denne med Triskelion

Part # 760014

SVENSKA

ANSVAR

- Aktiviteter som involverar användningen av denna enhet är i sig farliga. Användaren ansvarar för alla skador, personskador eller dödsfall som kan uppstå under eller efter felaktig användning av denna utrustning. Detta dokument måste tillhandahållas användaren av återförsäljaren på respektive lands språk och måste förvaras tillsammans med utrustningen när den används. Följ gällande nationella bestämmelser.
- Dessa instruktioner förklarar korrekt användning av din utrustning. Varningssymbolerna informerar dig om några potentiella faror relaterade till användningen av din utrustning, men det är omöjligt att beskriva dem alla. Du är ansvarig för att följa varje varning och använda din utrustning korrekt. Allt missbruk av denna utrustning kommer att skapa ytterligare faror. Kontakta CMC om du har några frågor eller har svårt att förstå dessa instruktioner. Kontrollera cmcpro.com för uppdateringar och ytterligare information.

Innan du använder utrustningen måste du:

- Läs och förstå dessa instruktioner och varningar.
- Få särskild utbildning och kompetens för korrekt användning.
- Bekanta dig med dess möjligheter och begränsningar.
- Förstå och acceptera riskerna.
- Ha en räddningsplan för att hantera eventuella nödsituationer som kan uppstå vid användning av enheten.
- Var medicinsk lämplig för dessa aktiviteter.
- Kunna kontrollera dina egna säkerhets- och nödsituationer.

Kontrollera utrustningen före och efter användning.
Se sidan 2 för information om CE-efterlevnad.

CMC-GARANTIER

Om din CMC-produkt har en defekt på grund av utförande eller material, kontakta CMC: s kundsupport för garantiinformation och service. CMC: s garanti täcker inte skador orsakade av felaktig skötsel, felaktig användning, ändringar och modifieringar, oavsiktlig skada eller den naturliga nedbrytningen av material under längre tids användning. Allt reparationsarbete ska utföras av CMC eller en utbildad, auktoriserad serviceagent. Allt annat arbete eller modifieringar upphäver garantin och befriar CMC och tillverkaren från allt ansvar. CMC uppmuntrar användare att föra ett inspektionsregister för att dokumentera relevant information som föreslås i tabellen i slutet av denna handbok.

SÄKERHETSINFORMATION



VARNING

Säkerhetsvarningar indikerar en potentiellt farlig situation som, om den inte undviks, kan leda till personskada eller dödsfall.

LÄGGA MÄRKE TILL

Meddelanden betonar viktig men inte riskrelaterad information. Underlåtenhet att följa meddelanden kan leda till produkt- eller egendomsskada.

ORDLISTA

Kompetent Person

En person utsedd av sin arbetsgivare som genom utbildning och kunskap kan identifiera brister, utvärdera och hantera befintliga och potentiella faror och som har befogenhet att vidta korrigerande åtgärder med avseende på sådana faror.

Benrem

Används för att koppla ihop benen på tripoden för att förhindra att benen glider isär.

Huvudrep

Det primära repet som håller lasten.

MBS

Minsta brottstyrka

NFPA

National Fire Protection Association

Portabelt Ankare

Anordning med stabila ben, utformade för personlyft. Även känd som en tripod eller ett Artificiellt High Directional (AHD).

PPE

Personlig skyddsutrustning

Resultant Kraft

Den linjära riktningskraften är lika med summan av alla krafter som appliceras på ett objekt.

Säkerhet / Belay / Backup Line

Ett sekundärt rep eller system som används för att hålla lasten om huvudrepet skulle gå av eller skadas.

WLL

Arbetsbelastningsgräns - bestäms genom att dela minsta brottstyrka (MBS) med en bestämd säkerhetsfaktor. säkerhetsfaktor.

Säkringsrep

Ett rep som används för att förhindra att ett föremål faller över en kant.

SPÅRBARHET & MÄRKNINGAR

Benmarkeringar och etiketter

Se sidan 3 för symboler.

1. Remskiva på överbenet
2. Serienumeretiketten ger produktens unika identifikationsnummer och tillverkningsdatum.
3. Numeriska etiketter på varje ben ger en visuell indikering av höjdställningen för varje ben.
4. Certifieringsetiketten ger en snabb referens till teststandarderna, minimala brytstyrkor och tillverkarens detaljer.

Väska märkning

Förvara Triskelion i bärväskan med huvudet riktat i samma riktning som bilden visar.

OM CMC TRISKELION

FUNKTIONER

1. Tripodhuvud tillverkat i stål
2. Två remskivor av rostfritt stål för att omdirigera rep eller wire upp till 13 mm i diameter
3. Tre fästpunkter för riggning eller stabilisering
4. Tre ankarpunkter på sidoplåten
5. Rektangulära, justerbara ben med bensprintar
6. Svängbara fötter med aggressiv slitbana och integrerad spets
7. Justerbar benrem med Cobra Quick Release-spänne (ej visad)
8. Bärväska (ej illustrerad)

Se sidan 4 för specifikationstabell och illustration.

ANVÄNDNINGSSINSTRUKTIONER

ALLMÄNNA

SÄKERHETSINSTRUKTIONER

1. Triskelion och tillhörande utrustning måste alltid vara insäkrad för att förhindra att den faller över kant.
2. Triskelion kan bli instabil eller välta om den används utan en bedömning av resultant kraften och riktningen. Ytterligare riggning kan krävas för att säkerställa att tripoden står stabilt.
3. Se till att användaren har god fysisk och mental hälsa

och är utbildad och kompetent i användningen av Triskelion. Användaren bör ha all relevant personlig skyddsutrustning för jobbet innan han / hon börjar arbeta på höjd. PPE kan inkludera, men är inte begränsat till, en sele, falldämparlina, hjälm, handskar och lämpliga skor.

4. En räddningsplan är obligatorisk när du arbetar på höjd eller i ett slutna utrymme. Se till att hela teamet är bekant med räddningsplanen och deras roller.
5. Ändra eller manipulera inte Triskelion på något sätt. Om detta görs gäller ej garantin.
6. Triskelion får endast repareras eller underhållas av CMC eller en utbildad, auktoriserad serviceagent.
7. När Triskelion används som en del av ett fallskyddssystem måste användaren vara utrustad med ett sätt att begränsa de maximala dynamiska krafter som utövas för sig själva under gripandet av ett fall till maximalt 6 kN (1350 lbf).
8. En falldämparlina bör fästas vid en förankringspunkt som ligger på en nivå som resulterar i minimalt fritt fall och det minsta totala fallavståndet i enlighet med bärarens förmåga att utföra arbetsuppgifter.
9. När du ansluter till en punkt på en sele som inte kan ses av bäraren av selen, bör anslutningen antingen göras innan du sätter på selen, eller så ska den anslutas eller kontrolleras för säkerhet av en kompetent person.
10. För att undvika en pendeleffekt under ett fall får den maximala vinkeln från ankarpunkten högst upp på Triskelion inte överstiga 15 ° vardera sidan om centrum av ankarpunkten.
11. Av säkerhetsskäl bör Triskelion bäras och ställas upp av två eller flera personer.
12. Om någon del av en enhet ska exponeras för kemikalier som frätande material eller farliga atmosfärer, bör användaren rådfråga CMC eller tillverkaren för att avgöra om delen är lämplig för fortsatt användning.



VARNING

- Användaren tar allt ansvar för icke-standardiserad användning av enheten eller komponenterna som används med enheten.
- Fara kan uppstå och funktionaliteten kan äventyras genom att kombinera andra utrustningar tillsammans med Triskelion under användning.
- Använd inte Triskelion om några delar saknas eller inte har underhållits ordentligt.

LÄGGA MÄRKE TILL

Att arbeta i eller utsätta Triskelion för extrema temperaturer, frätande kemikalier, farliga miljöer eller alltför grov hantering eller behandling kan skada enheten.

KOMPATIBLA PRODUKTER

Användningen av Triskelion är endast begränsad till kombinationer av godkända och registrerade komponenter.

Exempel inkluderar:

1. Utrustning certifierad enligt EN, NFPA och andra industristandarder.
2. Godkända och testade komponenter av CMC.

Andra kombinationer och komponenter som inte uppfyller dessa standarder bör inte användas eftersom de kan äventyra systemets säkerhet.

Mer information om bärbara ankare finns i NFPA 1500, NFPA 1858 och NFPA 1983.

INNAN VARJE ANVÄNDNING

Användarinspektion

Triskelion bör inspekteras av en behörig person före och efter varje användning för att säkerställa att den fungerar korrekt och att alla komponenter är fria från skador. Användaren bör också hänvisa till användarmanualen efter behov. En checklista för inspektion före användning tillhandahålls som en guide på sidan 6, som kan användas tillsammans med din organisations rutiner och regler.

Lämna eventuella tecken på skador till en auktoriserad person för ett beslut om Triskelions säkerhet och användbarhet. **Om du är osäker, använd ej produkten!**

För periodiska inspektioner, se avsnittet Inspektioner på sidan 13.

VARNING

Montera inte Triskelion över ett öppet hål. Ställ upp Triskelionvid brevid hålet/kanten och flytta den sedan till önskad plats när Triskelion-benen har förlängts och låsts på plats.

INSTÄLLNING AV TRISKELION

För säkerhet bör Triskelion bäras och ställas in av minst två eller fler personer.

1. Kontrollera ytan

- Se till att underlaget eller golvet under Triskelion-fötterna tål de förväntade belastningarna (Figur 1).
- Akta dig för mjuk mark och golv som inte har tillräcklig bärighet. Hantera dessa i enlighet därefter.
- Triskelion har svängbara fötter med spetsiga spetsar och gummerade sulor för att anpassa sig till olika ytor.
- Använd benremmen för att förhindra att benen glider isär.
- Markpinnar finns som tillval om enskilda fötter

kräver ytterligare stabilisering (se sidan 15).

2. Montera Triskelion

- **Ställ Triskelion upprätt och förläng varje ben till önskad längd/höjd. För att förlänga benen:**
 - a. Tryck in knappen på toppen av bensprinten och dra ut den från hålet i benet (Figur 2).
 - b. Förläng eller dra in benen för att nå önskad höjd. När höjden har uppnåtts, rikta in hålen och sätt tillbaka bensprintarna igen.
- Kontrollera att alla bensprintarna är låsta på plats och att Triskelion är i rätt höjd.
- Flytta Triskelion till önskad plats och dra ut benen över området till önskad benbredd.
- Trä benremmen genom varje Triskelion-fot och tryck sedan ihop spännet (Figur 3). Dra åt den lösa änden för att ta bort eventuella slackar i remmen. Detta förhindrar att benen glider isär.

3. Håll Triskelion-huvudet vågrätt

- På plana ytor har alla ben samma längd.
- På ojämna ytor kan benen ha olika längd.
- Justera längden på ett eller flera ben så att Triskelion-huvudet är plant och direkt över öppningen eller arbetsområdet.

Figur 4: Plan yta

Figur 5: Lutande yta

Figur 6: Golv i olika höjder

VARNING

Att justera benen kan utgöra en klämrisk. Håll i överbenet, snarare än underbenet och håll fingrarna bort från sprinthålen i benen.

TRISKELION SOM HÖGT ANKRARE

Exempel: Med ett fallskyddsblock

- Fäst fallskyddsblocket till en förankringspunkt på Triskelion-huvudet (Figur 7 och 8).
- Håll belastningen inom Triskelion-benen/tripodens fotavtryck (Figur 7 och 8).
- Använd inte tripoden om belastningen är utanför Triskelion-benen/tripodens fotavtryck (Figur 9).

VARNING

- Att arbeta utanför Triskelion-benen kan orsaka att tripoden välter. Håll lasten innanför benen/tripodens fotavtryck.
- För säkerhets skull, kontrollera att det finns tillräckligt avstånd och fritt utrymme under tripoden så att användaren inte kommer i kontakt med marken eller andra hinder vid fall.

FÄSTA TILLBEHÖR TILL BENEN

Godkända tillbehör som är utformade för att fästas på Triskelion-benet har specifika områden där de kan installeras. Se instruktionerna för enskilda tillbehör för att avgöra var de kan fästas.

Montera Triskelion-LokHead vinschadapter

Triskelion-LokHead vinschadapter är ett tillbehör (köpes separat) och är utformat så att Harken LokHead vinsch kan monteras på och användas med Triskelion (se sidan 15).

Så här fäster du vinschen och vinschadaptern:

- Bestäm var LokHead-vinschen ska placeras på Triskelion-benet (Figur 10).
 - Se till att ett ben med remskiva är valt. Dessa ben är markerade med en remskiva över ben-symbolen på de röda benetiketterna.
 - Bestäm om handtaget för LokHead vinsch ska vara orienterat på vänster eller höger sida och på insidan eller utsidan av benet.
- Ta bort de två röda sprintarna från adaptern och placera den på benet och rikta in sprinthålen i adaptern mot motsvarande hål i Triskelion-benet. Sätt tillbaka de röda sprintarna så att adaptern sitter på plats.
 - Om du ansluter adaptern till överbenet, Plocka bort den svarta distansen innan du fäster adaptern på benet (Figur 11).
 - Om adaptern fästs på de övre hålen på underbenet, måste distansen användas för att adaptern inte ska glappa och bör fästas på plats innan adaptern fästs på benet (Figur 11).
 - För att montera distansen, orientera de två hålen i distansen med stifthålen i adaptern. Sätt i distansen från adapters undersida. Montera glidtungorna genom den bredare delen av de rektangulära slitsarna och skjut den sedan över till motsatt sida tills distansen går i ingrepp med ett hörbart klick.
- Ta bort den silverfärgade sprinten från vinschadaptern och sätt sedan in LokHead-vinschen i adapterfacket och se till att utskärning A i vinschplattan passar runt det svetsade stiftet B inuti adapterfacket (Figur 12).
- Sätt tillbaka den silverfärgade sprinten med det nedre av de två tillgängliga hålen för att fästa vinschen i adaptern (Figur 12).

Montera Triskelion-Salalift II vinschadapter

Triskelion-Salalift II vinschadapter är ett valfritt tillbehör och är utformat för att möjliggöra att 3M DBI / SALA Salalift II vinsch kan monteras på och användas med Triskelion (se sidan 15).

Så här fäster du vinschen och vinschadaptern:

- Fäst adaptern i det nedre Triskelion-benet med hjälp av de två översta hålen närmast överbenet (Figur 13).
 - Se till att ett ben med remskiva är valt. Dessa ben är märkta med en remskiva över ben-symbolen på de röda benetiketterna.
- Ta bort de två röda sprintarna från adaptern och placera den på benet och rikta in stifthålen i adaptern mot motsvarande hål i Triskelion-benet. Sätt tillbaka de röda sprintarna för att fästa adaptern på plats (Figur 14).
- Ta bort låsstiftet från enheten, sätt sedan vinschen över adapterfästet och se till att utskärning A i vinschplattan passar runt den svetsade stiftet B på adaptern (Figur 15).
- Sätt tillbaka låsstiftet för att fästa vinschen i adaptern (Figur 16).

TRISKELION SOM EN RIKTNINGSTFÖRÄNDRING

Så här använder du Triskelion som riktningsförändring:

- Använd de integrerade remskivorna i Triskelion-huvudet

ELLER

- Fäst ett repblock till en ankarpunkt på Triskelion-huvudet.

Den resulterande kraften halverar repet / kabeln som kommer in och ut ur en remskiva (Figur 17).

Resultant kraften (indikerad med den streckade linjen) måste hållas inom triangeln/ tripoden fotavtryck som bildas av fötterna när det inte finns någon extra stabiliseringsriggning eftersom den kan välta Triskelion.

Detta uppnås genom att hålla dragkraft parallell med benen och insidan av benremmarna/tripoden s fotavtryck.

Säkerhet / Belay / Backup Line utelämnad från figurerna 18, 19 och 20 för tydlighetens skull.

- Bild 18:** Användning tillsammans med manuellt hissystem
- Bild 19:** Vinsch
- Bild 20:** Att ha dragkraften utanför benen orsakar att trioden välter. Kan bara användas tillsammans med extra stabiliseringsriggning.

‡ Det finns tre fästpunkter för stabilisering på Triskelion-huvudet för avancerade användare. Stabiliseringsrigg beskrivs inte i denna handbok.

ANVÄNDNINGSSINSTRUKTIONER TVÅ INKOPPLINGSPUNKTER

Två inkopplingspunkter med användaren behövs för höjdsäkerhet:

- Ett primärt system och
- Ett reserv/back-up system.

Alternativ för det primära systemet inkluderar en stege, en vinsch eller ett hissystem.

Ett back-up system används om det primära systemet skulle falla. Exempel på ett backup-system är ett fallskyddsblock eller en vinsch.

- **Bild 21:**
Primär: stege Backup: Fallskyddsblock
- **Bild 22:**
Primär: vinsch Backup: Fallskyddsblock

INSPEKTIONER

För att bibehålla säkerheten och användbarheten för denna produkt måste regelbundna inspektioner utföras.

Användarinspektion

Varje användare bör utbildas i säker användning och inspektion av Triskelion. Triskelion bör inspekteras av en kompetent person före och efter varje användning för att säkerställa att den fungerar korrekt och att alla komponenter är säkra att använda.

En inspektionschecklista före användning finns som en guide på sidan 6 i denna handbok. Den kan användas tillsammans med din organisations rutiner och regler.

Överför eventuella tecken på skador till en behörig, auktoriserad person för beslut om produktens säkerhet och användbarhet. **Om du är osäker, använd den inte!**

Periodiska inspektioner

- En periodisk inspektion bör utföras var sjätte månad och minst en gång per år av en behörig person. Inspektionsfrekvenser kan ökas beroende på hur ofta enheten används, miljöförhållanden, lagstiftning och / eller er organisations rutiner och regler. En checklista för periodisk inspektion finns på sidan 14.
- Om någon del av systemet utsätts för farliga kemikalier eller farliga atmosfärer, bör användaren rådfråga CMC eller tillverkaren för att avgöra om delen är lämplig för fortsatt användning.
- Periodiska inspektioner bör registreras i produktens inspektions- och underhållslogg. En provlogg finns på sidan 15.
- Det rekommenderas att märka enheten med datumet för nästa inspektion.



VARNING

- Ta bort Triskelion ur bruk om den har använts för att stoppa ett fall eller om du är osäker på Triskelions tillstånd för säker användning. Använd den inte igen förrän den har inspekterats av CMC eller en lämplig utbildad, auktoriserad person och skriftlig bekräftelse tillhandahålls.
- Triskelion har konstruerats och testats med originalkomponenterna som medföljer. Byt aldrig ut sprintar, bultar eller andra medföljande komponenter mot icke-originaldelar.

UNDERHÅLL

Rengöring av Triskelion

1. Tvätta Triskelion med varmt vatten och ett mildt tvättmedel.
2. Skölj med rent vatten.
3. Lufttorka det upppackade Triskelion i ett torrt, skuggat och väl ventilerat område. Använd inte ytterligare värmekällor eller fläktar för att torka Triskelion.
4. Undvik kontakt med kemikalier, oljor, lösningsmedel och andra aggressiva frätande material eller medel.
5. När Triskelion är torr, förvara den i bärväskan.

LAGRING

Bärväskan är utformad för optimal balans när du bär Triskelion. För att säkerställa korrekt balans, placera Triskelion-huvudet enligt placeringsbilden på insidan av påsen. Förvara Triskelion i väskan i ett rent, torrt område från direkt solljus, kemikalier och frätande element.

TRANSPORT

För att undvika skador under transport bör Triskelion förpackas i sin väska eller en lämplig behållare eller låda.

SERVICE & DELAR

Reparationsarbete på Triskelion får endast utföras av CMC eller en utbildad, auktoriserad serviceagent. Alla andra reparationsarbeten eller modifieringar av produkten upphäver garantin. Kontakta din lokala CMC-distributör eller CMC-kundtjänst för service eller reparationer.

Reservdelar

Reservdelarna på sidan 13 kan ersättas av användaren eller produktägaren. Alla andra delar måste monteras av CMC eller en utbildad, auktoriserad serviceagent.

TRISKELION TILLBEHÖR

Se sidan 15 för ett foto av varje tillbehör.

FOTSTEG

Fotsteget monteras på den nedre delen av Triskelion-benet. Det är ett hjälpmedel som gör det möjligt för operatören att nå Triskelion-huvudet för att justera riggning efter installation. Artikelnr 760010

GRUNDINSATS

Markpinnar är utformad för att säkra Triskelion-foten. Den är idealisk för mjuka underlag som gräs. Artikelnr 760011

TRISKELION- LOKHEAD WINCH ADAPTER


Adaptern gör att Harken LokHead vinsch kan monteras och användas med Triskelion. Artikelnr 760012

TRISKELION- SALALIFT II VINCHADAPTER

Adaptern gör att 3M DBI / SALA Salalift II vinsch kan monteras och användas med Triskelion. Artikelnr 760014



CMC Rescue, Inc.
6740 Cortona Drive
Goleta, CA 93117, USA
805-562-9120 / 800-235-5741
cmcpro.com

ISO 9001 Certified
©2020 CMC Rescue, Inc. All rights reserved.
CMC and  are registered marks of CMC Rescue Inc.
Control No. 760001ML01_Rev02