

MONITORS



RAPID ATTACK MONITOR – R.A.M.®

MONITORS

R.A.M.®

- Easily deployed and operated by a single firefighter
- Patent pending hydraulic stability system harnesses reaction force to stabilize the monitor
- Four fold-out forged aluminum legs with carbide-tipped ground spikes extend to the largest footprint in its class for exceptional stability
- Rear ground spikes are angled to help carbide tips grip the surface
- Lock pin holds valve in a closed position to prevent accidental opening, allowing the R.A.M. to be carried attached to a charged line
- Patent pending design lowers friction loss and produces consistent stream quality in all ranges of motion
- Can be stored pre-connected
- Ergonomic U-shaped valve handle
- Attached safety strap includes storage pouch

5-24



Ergonomic carry handle

Built-in vane for improved stream quality

Rear angled carbide-tipped ground spikes

Counter balance system maintains vertical nozzle position from any angle

Carbide-tipped spring-loaded ground spikes



SPECIFICATIONS

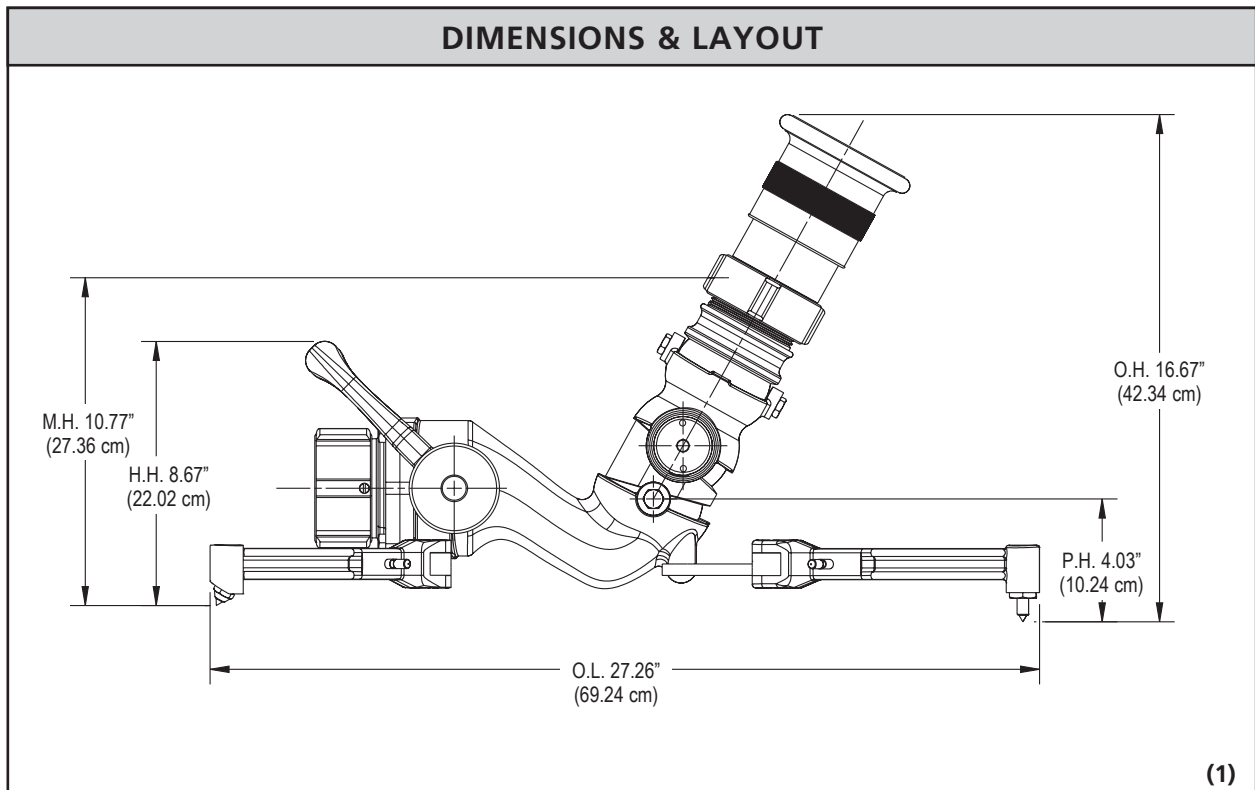
Max. GPM (LPM)	500 (1893)	
Inlet	Size	Type
	2.5"	NHT (F)
Outlet Size	2.5" NHT	
Controls	Manual	
Material/Finish	Elk-O-Lite® with red urethane enamel	
Friction Loss	9.5 psi at 500 gpm	
	5.8 psi at 400 gpm	
Travel	V +20° to +63° (43° – manned)	
	V +35° to +63° (28° – unmanned)	
	H 20° in both directions (40°)	
Weight	17 (Lbs.)	
Ratings and Certifications	CE	

KEY CONFIGURATIONS (ACCESSORIES)



TRUCK STORAGE MOUNT (2)

DIMENSIONS & LAYOUT



ADDITIONAL INFORMATION

- *Technical Data on monitor performance may be found on page T-11.*
- *Please inquire with our sales staff for additional thread options.*



RAPID ATTACK MONITOR – R.A.M.®

Recommended Products

R.A.N.™	ST-197A STACKED TIP	181-A DELUGE TIP	282-A - MINI STREAM SHAPER	HF-500A HYDRO FOAM	Oscillating R.A.N.™
(3)	(4)	(5)	(6)	(7)	(8)
<i>Page 6-5</i>	<i>Page 1-29</i>	<i>Page 1-29</i>	<i>Page 1-27</i>	<i>6-16</i>	

Components & Options Chart

COMPONENTS & OPTIONS			ILLUSTRATION	MODEL
R.A.N.™ Nozzle	Fixed	500 GPM (1893 LPM)	3	3896
	Selectable	250/350/500 GPM (946/1325/1893 LPM)	3	3895
	Oscillating	500 GPM (1893 LPM)	8	3890
Self-Educing Nozzle	Fixed	500 GPM (1893 LPM) with configurable ½, 1, or 3% foam proportioning.	7	HF-500A
Smooth Bore Nozzle	Triple Stack Tip	Outlets: 1", 1 ¼", & 1 ½"	4	ST-197-A
		Outlets: 1 ¼", 1 ⅜", & 1 ½"	4	ST-197-A
	Deluge Tip	Outlet: 1 ⅜"	5	181-A
Accessories	Mini Stream Shaper	For use with R.A.M. smooth bore nozzles	6	282-A Mini
	Mounting Bracket	Truck storage mounting bracket for R.A.M.	2	8296-MB

Product Highlights

ACTIVE SAFETY SYSTEM

- Should a firefighter stumble, slip or otherwise lose his grip on the R.A.M.®, the monitor automatically raises – increasing the down force for additional stability – to prevent the monitor from moving.



R.A.M.® Selector Guide

INLET SIZE	OUTLET SIZE	CERTIFICATIONS	MODEL
2.5" NHT	2.5" NHT	CE	
•	•	•	8296
			<i>Illustration</i>