

WORKPRO™

ULTRA BRIGHT LED WORK AREA LIGHTING



Reliability from the Scene Lighting experts since 1968.

The FRC WorkPro™ Series of work area lights deliver outstanding light output in a compact design.

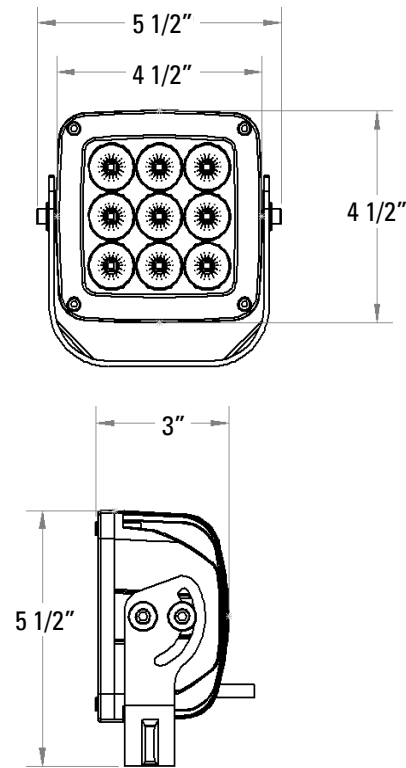
- Built for harsh environments in robust cast aluminum housings with polycarbonate lens
- Protected against shock, RFI/EMI interference, voltage surges, UV and reverse polarity
- All lights are IP67 or IP68 compliant for dust and water ingress
- All at a great price and with the FRC 5-year warranty
- All models available in black or white

EXTERNAL MOUNTING: IP68 • 9-36V DC INPUT • 50,000+ OPERATING HOURS • INSTANT ON/OFF

1800 LUMENS



LED330



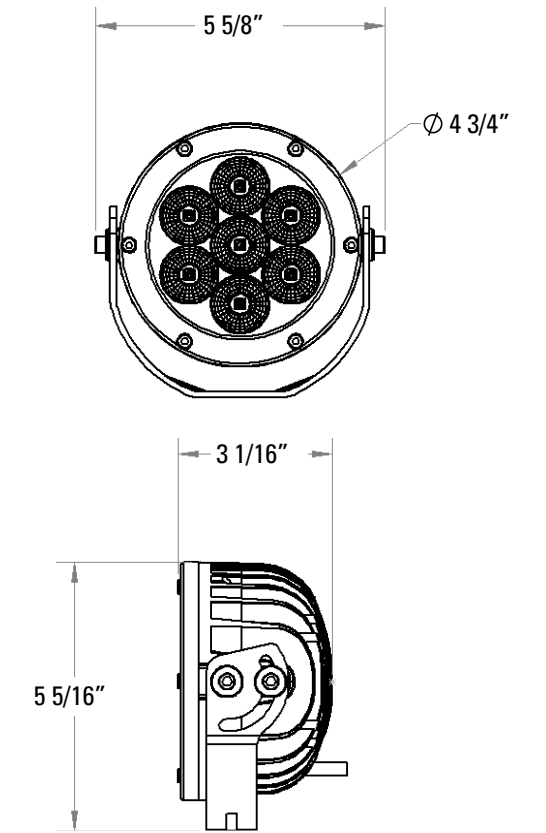
MODEL	BEAM TYPE	CERTIFICATE	POWER (WATTS)	AMP DRAW (12V/24V)
LED330-A01	Spot	CE	26	2.2/1.1
LED330-B01	Flood	CE	26	2.2/1.1

*Specify "B" for black and "W" for white after model number.

3500 LUMENS



LED310

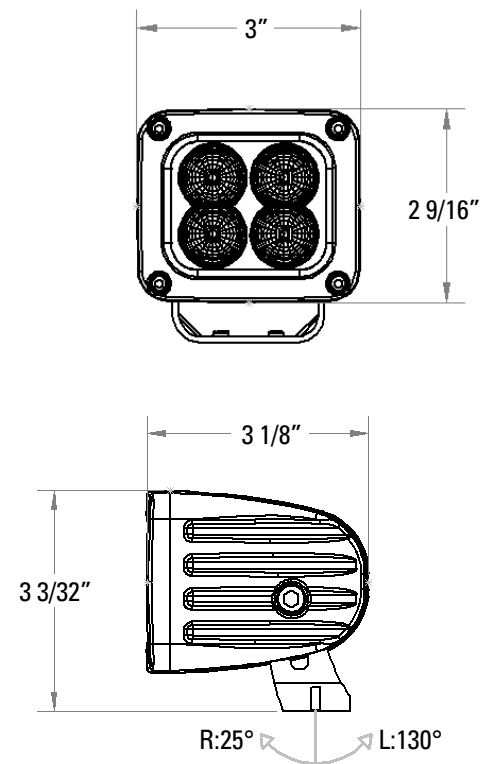


MODEL	BEAM TYPE	CERTIFICATE	POWER (WATTS)	AMP DRAW (12V/24V)
LED310-A03	Spot	CE E4	35	2.9/1.4
LED310-B03	Flood	CE	35	2.9/1.4

*Specify "B" for black and "W" for white after model number.



LED300

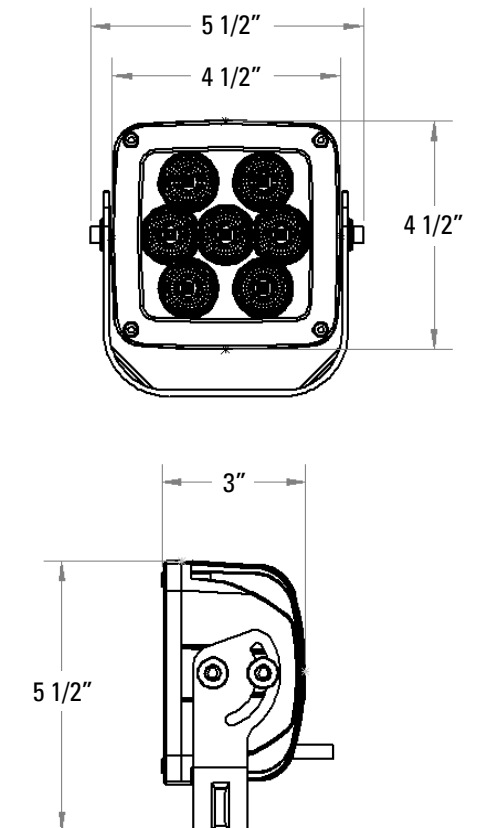


MODEL	BEAM TYPE	CERTIFICATE	POWER (WATTS)	AMP DRAW (12V/24V)
LED300-A01	Spot	CE	20	1.6/0.8
LED300-B01	Flood	CE	20	1.6/0.8

*Specify "B" for black and "W" for white after model number.



LED320



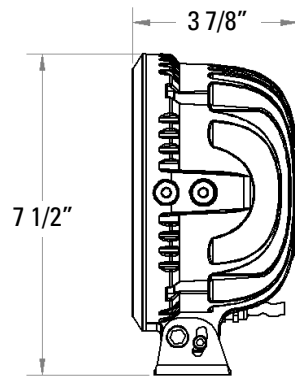
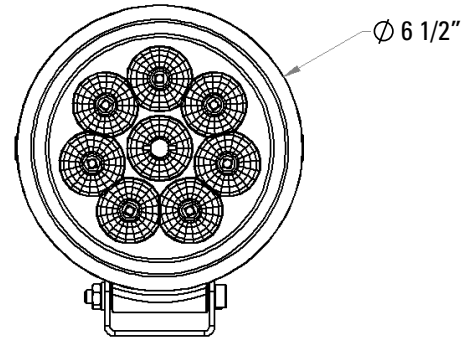
MODEL	BEAM TYPE	CERTIFICATE	POWER (WATTS)	AMP DRAW (12V/24V)
LED320-A03	Spot	CE E4	35	2.9/1.4
LED320-B03	Flood	CE	35	2.9/1.4

*Specify "B" for black and "W" for white after model number.

7200 LUMENS



LED340



MODEL	BEAM TYPE	CERTIFICATE	POWER (WATTS)	AMP DRAW (12V/24V)
LED340-A07	Spot	CE E4	78	6.5/3.2
LED340-B07	Flood	CE	78	6.5/3.2

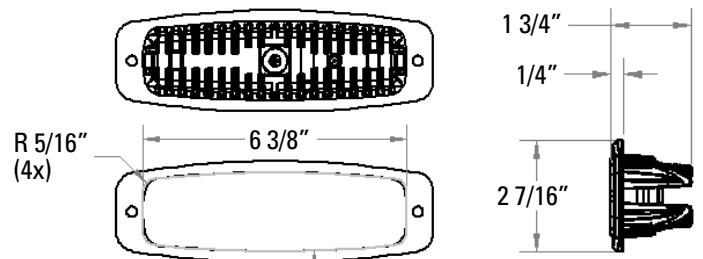
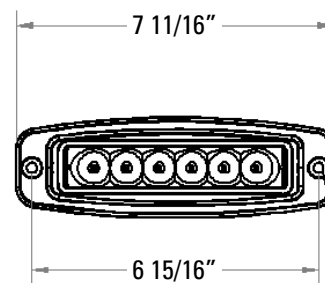
*Specify "B" for black and "W" for white after model number.

RECESS MOUNTING: IP67 • 10-30V DC INPUT • 50,000+ OPERATING HOURS • INSTANT ON/OFF

1600 LUMENS



LED350



MODEL	BEAM TYPE	CERTIFICATE	POWER (WATTS)	AMP DRAW (12V/24V)
LED350-B01	Flood	CE E	18	1.4/0.7

*Specify "B" for black and "W" for white after model number.