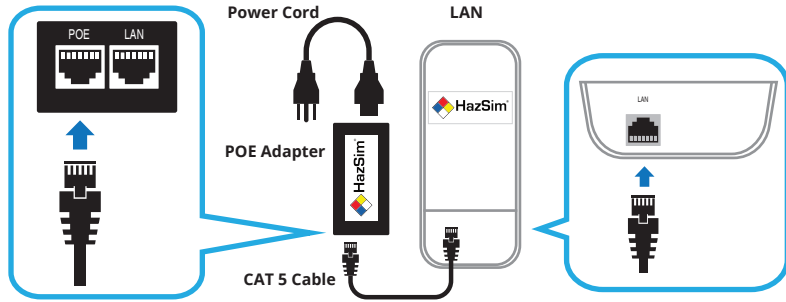


1. Connect Power to the LAN



Connect included CAT5 cable to POE port on the POE Adapter. Connect other end to the LAN port on the LAN unit.

Connect power cord to POE Adapter. Plug the power cord to a grounded outlet.

LAN will automatically turn on and generate the Wi-Fi network, 'HazSim - Extended'.

The 'HazSim - Extended' network can support multiple HazSim Handhelds.

2. Turn the HazSim Server On

Power Button



HazSim Server

Open the HazSim Server, press power button to turn on. The system will automatically login and open the HazSim Server software. The HazSim Server software might take a while to open upon boot, please wait until it does.

Upon boot, the HazSim Server will automatically connect to your 'HazSim - Extended' network.

3. Turn the HazSim Handheld On



Press power button for a least 2 seconds to turn on HazSim Handheld.

Wait for startup to complete (30 seconds)

When the device has completed startup, it will automatically connect to the HazSim Server.

Once connected, the Client Number for your HazSim Handheld will show in the upper left of the screen.

This connection will trigger a popup window on your HazSim Server.

This pop-up should display the corresponding Client Number.

You are now ready to start your training.

Turning Off the HazSim System

To turn the LAN off, carefully unplug the device.

To turn the HazSim Server off, press the Windows logo on the lower left of the screen. Select the 'Power' icon then select 'Shut Down'. Wait until the device turns off before storing.

To turn the HazSim Handheld off, press the power button for at least 2 seconds; a 'Power off' option will appear. Select 'Power off'.

Both the HazSim Server and Handheld should be charged with their included chargers.

Do not operate the HazSim Handheld during charging.

 **HazSim**[®]
Hazmat Training Simulation System
Quick Start Guide



HazSim Training System Pro 2.0 ©2021



HazSim, LLC
1750 14th St. Suite C
Santa Monica, CA
90404 U.S.
(310) 997-9030
support@hazsim.com
www.hazsim.com

HazSim Training System Pro 2.0
All rights reserved. ©2021

Patent Numbers:
9881519
9165475
D724963