

# USB Dual Port 4.2

## Dual USB Charging Port with Weather Proof Door

### Features

- Quick and easy way to recharge electronic devices in vehicle
- 4.2 Amps max output allows charging of two iPads at the same time
- Additional protection with closed weather-proof door cover
- Built-in LED indicator indicates device is powered
- Designed for easy installation in vehicle switch panels
- Reverse polarity protected
- Can be connected to 12 V switched ignition or directly to battery



### Specifications: USB Dual Port

Input Voltage: 8 to 18 VDC  
(6 to 20 VDC absolute min./max.)

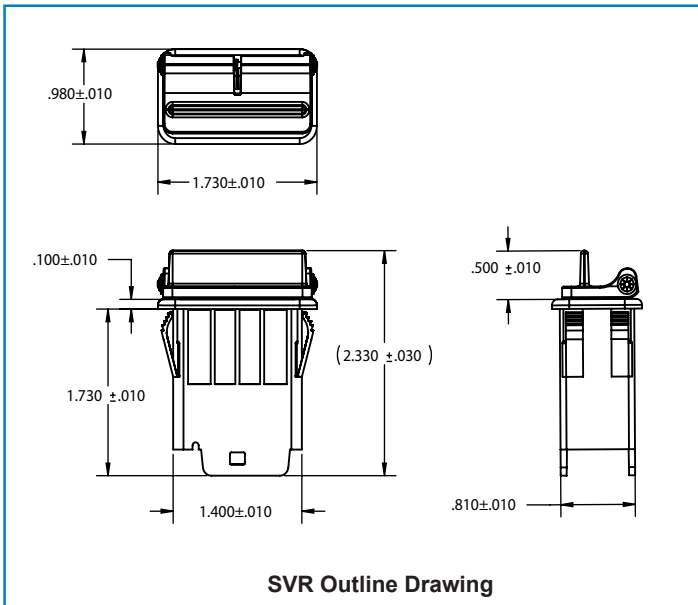
Input Current: 2.0 Amps at 12.0 VDC  
Input (with 4 Amp Load)

Output Voltage: 4.8 to 5.2 VDC  
(0 to 4 Amp load)

Output Current: 4.2 Amps (maximum)

Indicator: Device Powered Red LED

Warranty: 3 years



Part Number	Description	Electrical Data		Dimensions			Wgt.
		DC Volts	DC Amps	L	W	D	
091-219-4-WP	Dual USB Charging Port Eaton SVR	5	4.2	1.73"	.98"	2.33"	.1 lbs