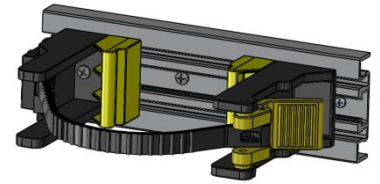


Heavy Rescue Tool Mt. Kit

P/N: K5035FL



P/N 1035 POCKET



P/N K5020 FASTLOK

The Heavy Rescue Tool Mounting Kit combines the speed of the K5020 Fastlok with the durability and versatility of the 1035 Heavy Rescue Base. Tools can be mounted vertically, horizontally or angled.

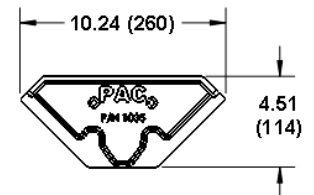
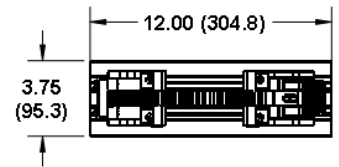
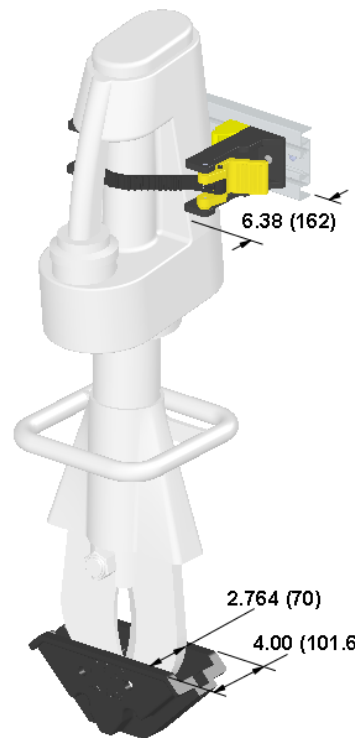
FEATURES

- Heavy duty construction
- Multiple mounting positions
- Mounts most Heavy Rescue tools, even electric tools
- Weather, UV resistant
- Non-conductive
- Includes Stainless Steel fasteners
- Mounts to PAC tool boards and other flat surfaces
- Straps available in Yellow, Black and Orange

EQUIPMENT

Most Cutters, spreaders and combi tools

SIZE & DIMENSIONS



PROPERTIES

P/N	WT.	MAX. DYNAMIC LOAD	MAX. STATIC LOADS	GRIP RANGE	TEMP RANGE	FLAME RESISTANCE	PAINTABLE		
K5035FL	4.5lbs 2kg	N/A	N/A	VARIABLE	-20 to 52 °C -4 to 125 °F	GOOD	YES		

Performance Advantage Company Lancaster, New York www.pactoolmounts.com 888-514-0083

REFERENCE	QTY	REMARKS	PROJECT
			LOCATION
			BUYER
			DEALER
			BUILDER
			SUBMITTED BY:
			DATE:



TYPICAL SPECIFICATION

Mounting bracket shall be PAC PN K5035FL. Kit should include 2 parts: pocket and locking bracket. Bracket shall be made from tough, corrosion free material. Hardware shall be stainless steel.

Users shall be protected from conductivity.

The **HEAVY RESCUE TOOL MOUNTING KIT** combines K5020 Fastlok and 1035 Rescue Pocket to support, locate and secure most all rescue tools including Cutters, Spreaders and Combi tools. Works great with the eDraulic tools. Your tools can be mounted vertically, horizontally or angled.

- Heavy duty construction
- Multiple mounting positions
- Mounts most Heavy Rescue tools, even electric tools
- Weather, UV resistant
- Non-conductive

