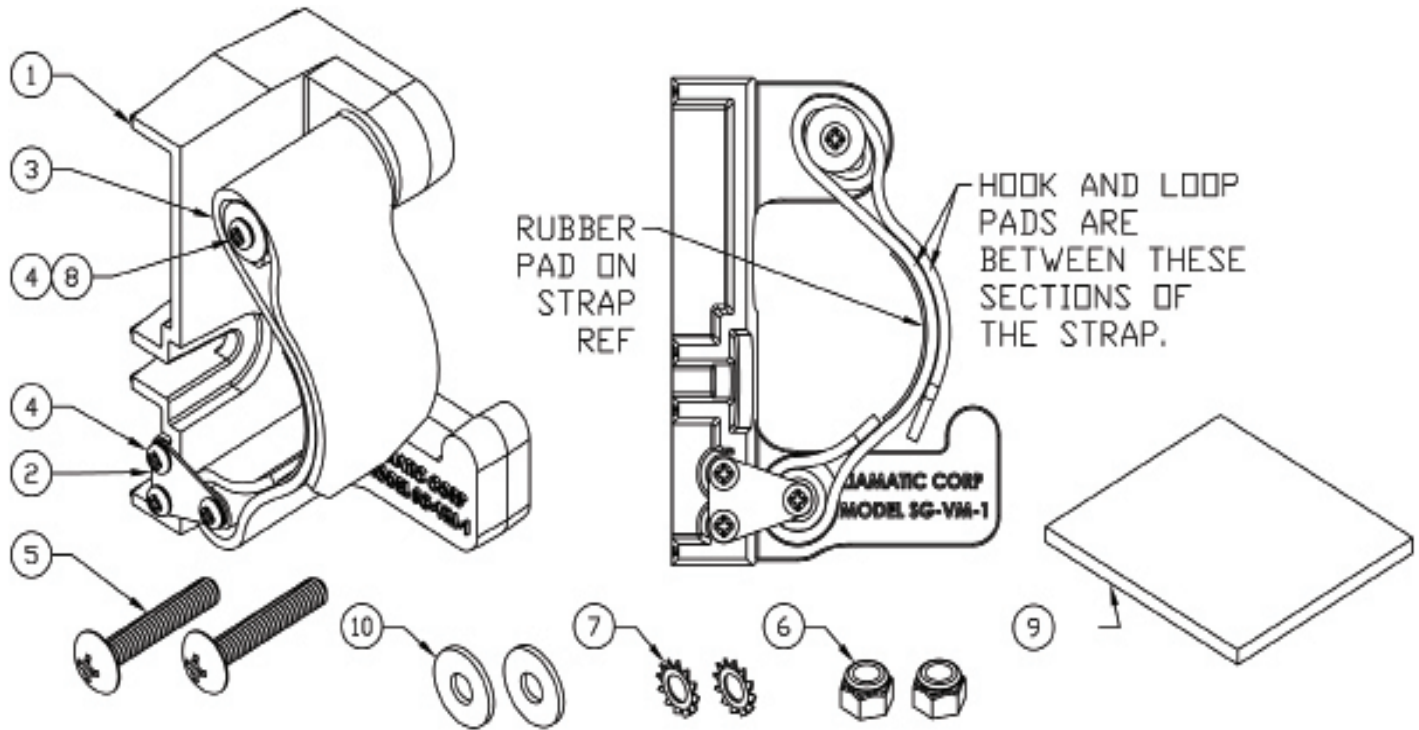
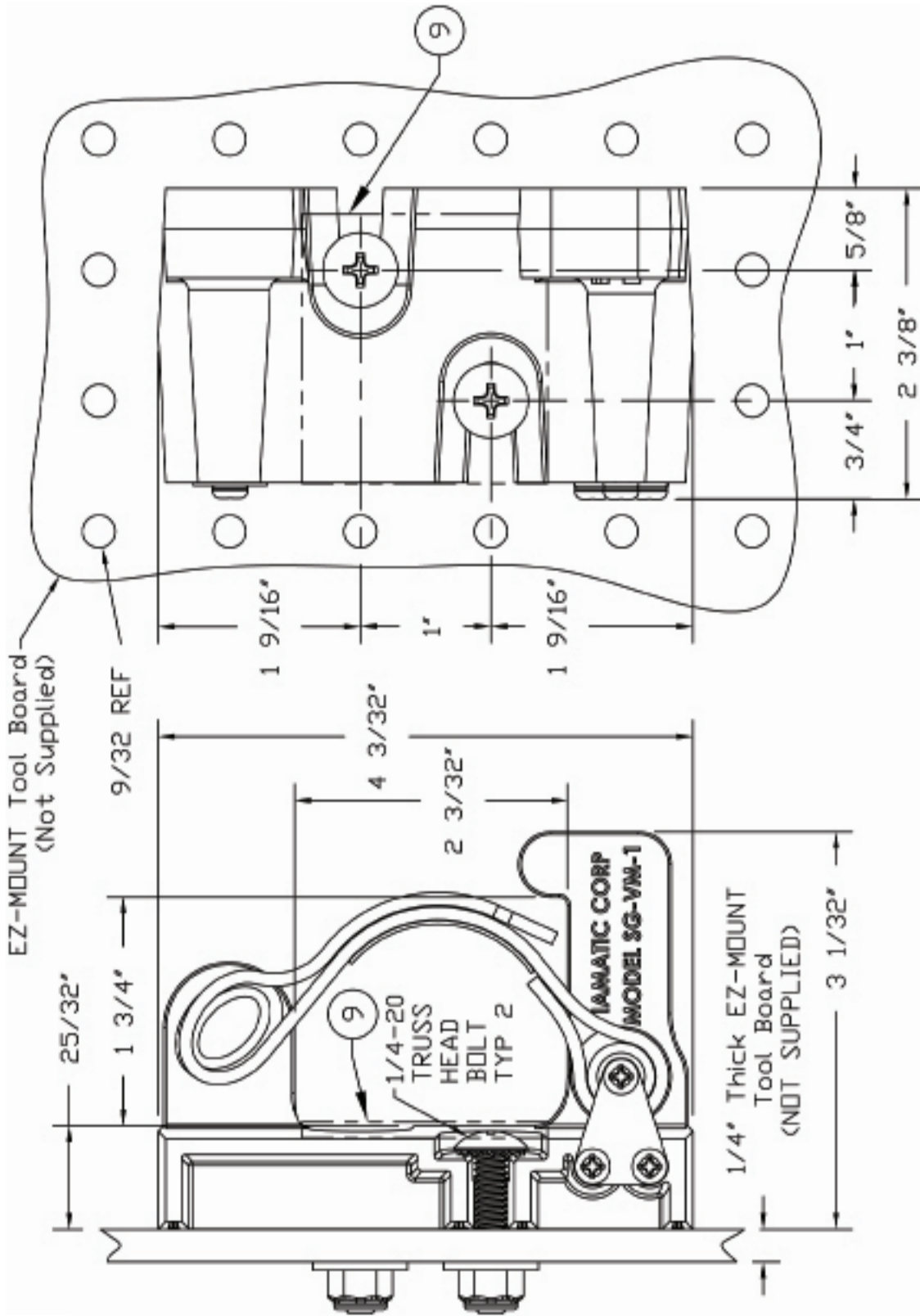


**SURE-GRIP™ TOOL MOUNT - 3/4" TO 2" DIA.
MODEL SG-VM-1
PARTS AND INSTRUCTION MANUAL**

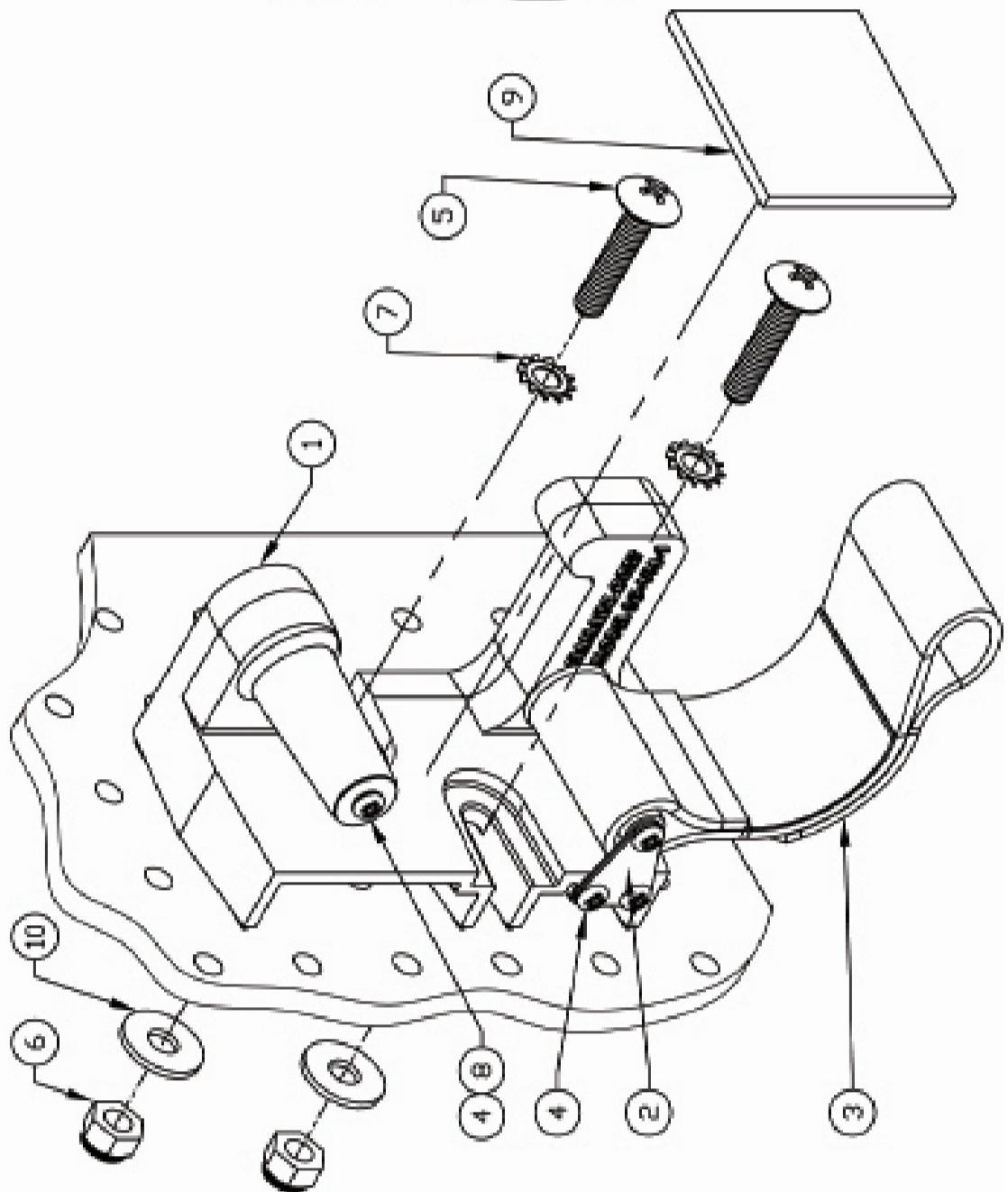
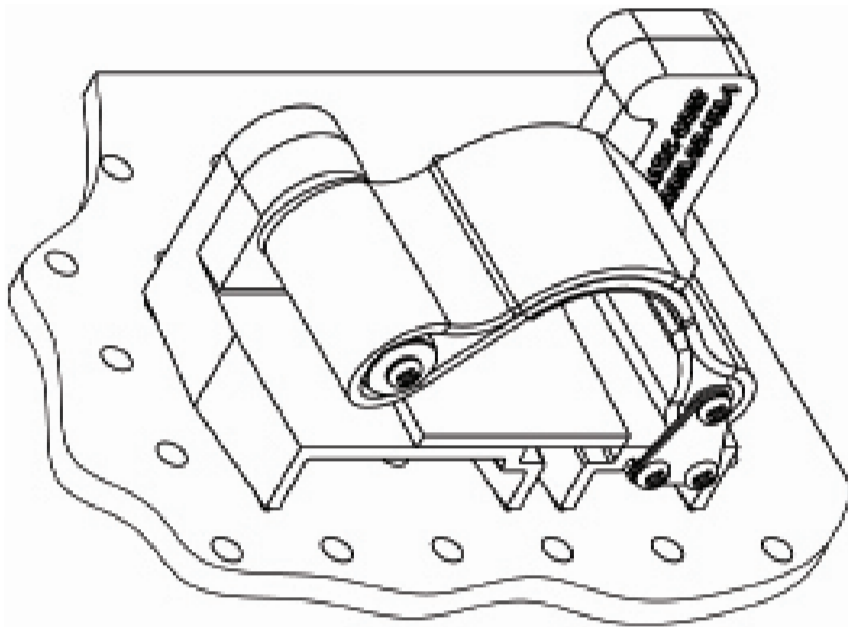


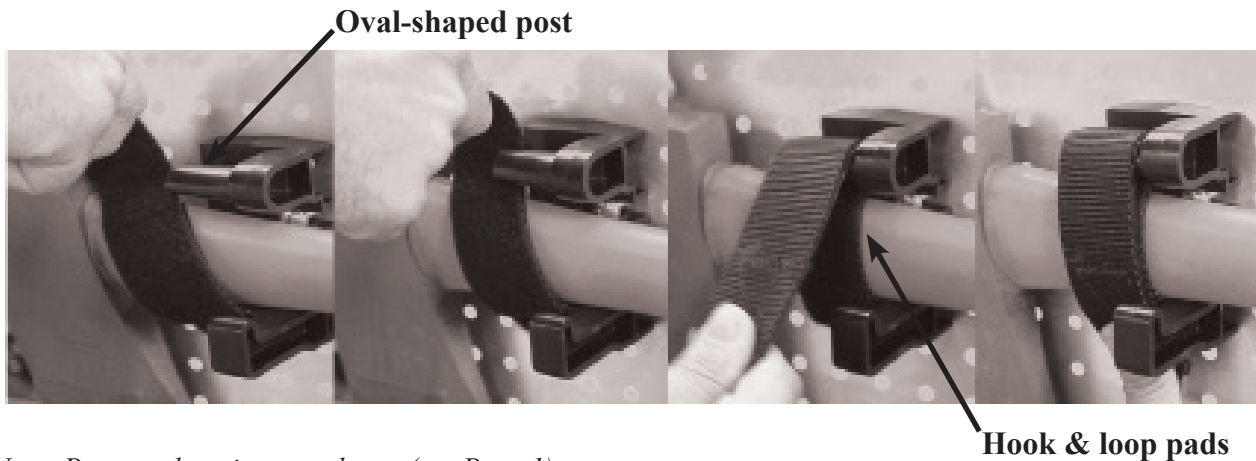
MODEL	DESCRIPTION	WT./@ IN LBS.
SG-VM-1	SURE-GRIP Bracket - 3/4" - 1-3/4" Dia. grip range	.25

ITEM	PART NUMBER	DESCRIPTION	QTY.
1	3085-500-105	SURE GRIP BASE	1
2	3085-500-107	STRAP PLATE	1
3	3085-500-109	STRAP. VARIABLE	1
4	9125-191306	SCREW, #6-20x3/8", PLASTIC THREAD CUTTING, SS, 94629A70	4
5	9010-262520	SCREW, 1/4-20x1 1/4" TRUSS HEAD ZPS	2
6	9013-172500	NUT, 1/4-20 HEX HEAD, LOW-PRO NYLON LOCK, ZPS	2
7	9014-262500	LOCK WASHER, 1/4" EXTERNAL TOOTH, ZPS	2
8	9014-161300	FENDER WASHER, #6 X .560 O.D. ZPS	1
9	3085-500-901	PAD WITH ADHESIVE	1
10	9014-112500	FLAT WASHER, 1/4" ZPS	2



STRAP REMOVED TO SHOW TYPICAL
SCREW MOUNTING POSITIONS





Note: Part numbers in parentheses (see Page 1).

I. INSTALLATION

1. The support arm on the Base (1) should be positioned toward the bottom of the compartment, in both horizontal and vertical storage configurations.
2. When using two SURE-GRIP mounts to secure one tool, it is suggested to space the mounts approximately shoulder-width apart to allow for quicker and easier operation
3. Attach Base to mounting surface using Truss Head Screws (5) combined with 1/4" nuts (6) and washers (7)(10). If longer screws are needed, use low profile truss head screws.
4. Adhere the Pad (9) to the flat portion of Base (see Page 3).

II. SECURING THE TOOL

1. Place and hold the tool against the Base. When in a horizontal configuration, support arm may be used for assistance and stability.
2. Place the Strap (3) over the tool. Slide it behind the oval-shaped post from the side (see above).
3. While maintaining tension on the strap, pull away from the Base to tighten, then connect the hook pad and the loop pad to secure.

III. REMOVING THE TOOL

1. Grab the end of the strap at the red tab and pull away from the base to release the hook & loop connection.
2. Pull the tool towards you, through the loosened strap. Strap will free itself as you pull.



Ziamatic Corp.

10 West College Avenue, P.O. Box 337, Yardley, PA 19067-0587 • (215) 493-3618 • FAX: (215) 493-1401

www.ziamatic.com

TOLL FREE: 800-711-3473

*ZICO is a registered trademark for fire, safety and marine products made by Ziamatic Corp.

Copyright Ziamatic Corp. 1-21