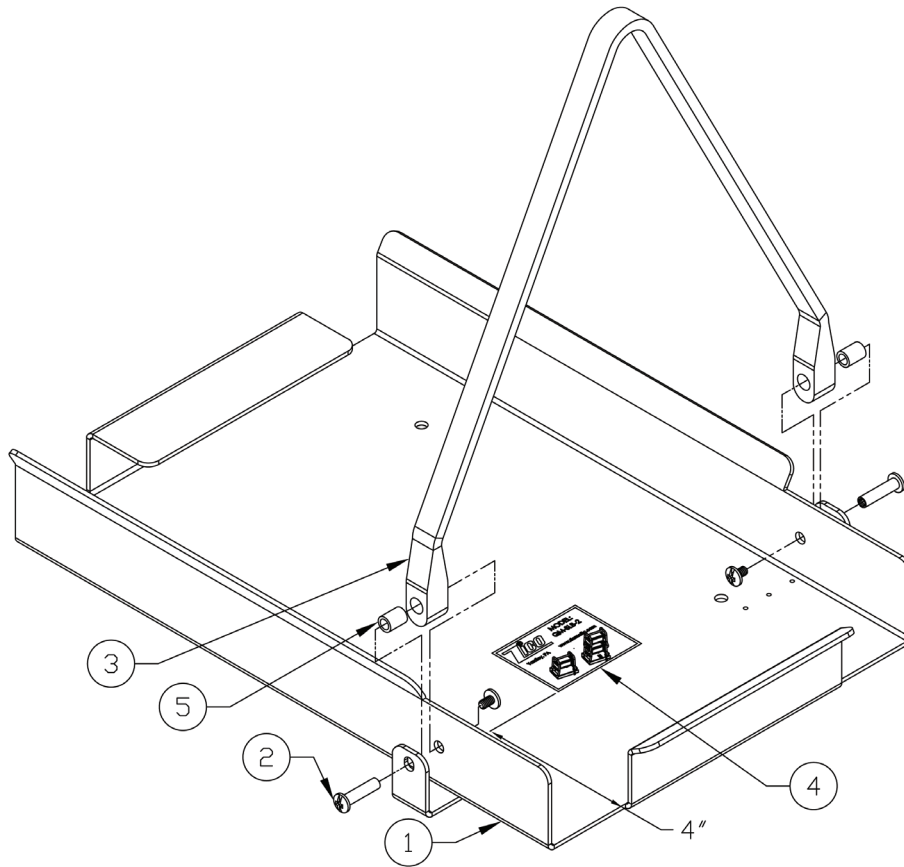
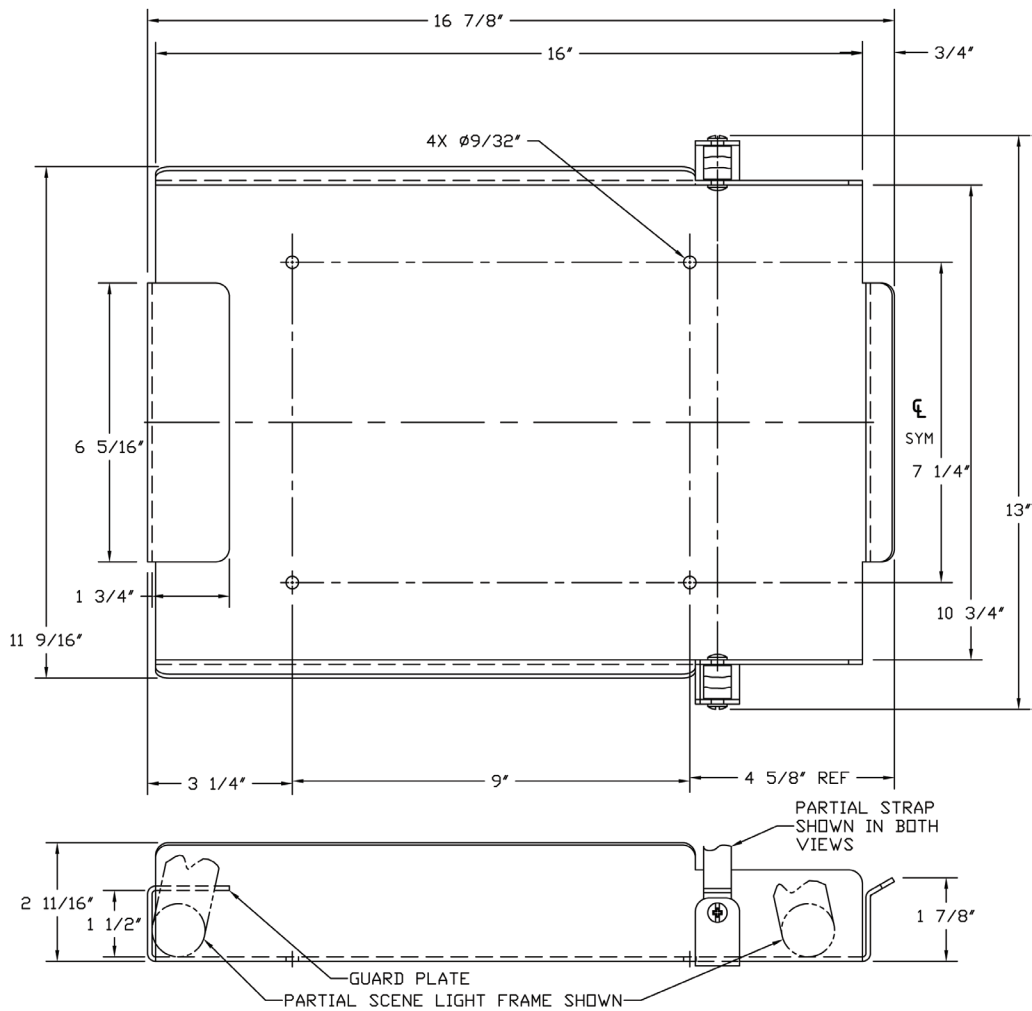


QUIC-MOUNT® STACKABLE SCENE LIGHT BRACKET
MODEL QM-SLB-2
PARTS AND INSTRUCTION MANUAL



MODEL	DESCRIPTION	WT. /@ IN LBS.
QM-SLB-2	Stackable Scene Light Bracket	8.7

ITEM NO.	PART NO.	DESCRIPTION	QTY.
1	3087-271-101	BRACKET ASSY	1
2	9010-141916	BINDING BARREL & SCREW, #10-24, 1" TO 1-1/8", 1/4" O.D. ZPS	2
3	3087-271-105	RUBBER STRAP, EPDM, 21"	1
4	3087-271-107	LABEL, QM-SLB-2	1
5	3087-271-109	SPACER, .253 I.D. x .5/16 O.D. x 9/16	2



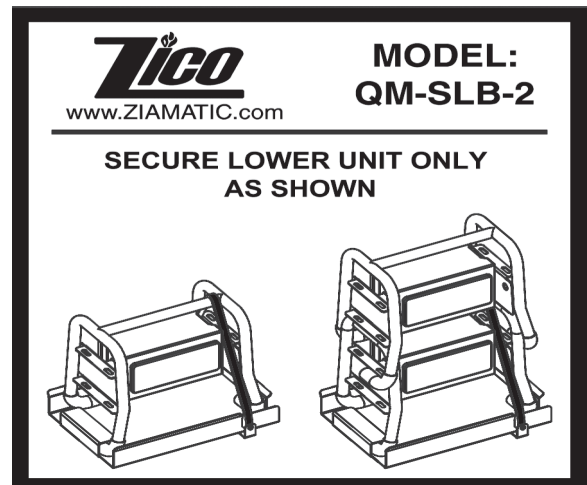
Mounting Instructions:

Mount to flat surface using 4 ea. 1/4" hardware and flat washers.

To Secure Scene Light(s):

1. Place scene light into bracket. The frame of scene light should rest under the guard plate.
2. Stretch the rubber strap up and over the scene light so that it presses against the upper handle. If stacking multiple scene lights, strap should only secure the lowest unit.

To Retrieve Scene Light(s): Remove rubber strap and pull unit free. Strap will fall out of the way.



Ziamatic Corp.

10 West College Avenue, P.O. Box 337, Yardley, PA 19067-0587 • (215) 493-3618 • FAX: (215) 493-1401

*ZICO is a registered trademark for fire, safety and marine products made by Ziamatic Corp.

www.ziamatic.com

TOLL FREE: 800-711-3473

Copyright Ziamatic Corp. 1-20