

# WALKAWAY® BRACKETS

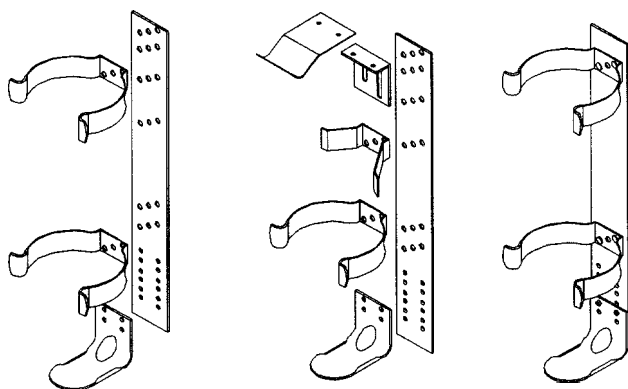
## Best bracket for your money

A WALKAWAY® bracket is composed of a backplate, two spring clips and a footplate, with the exception of the SC-50-H brackets, which have one clip, one seat (in place of the top clip) and one top clip and holder. Model **CRS** (Collision Restraint Strap), Model **PHS** (Positive Holding Strap), or Model **TDS** (Tie Down Strap) may be specified with the bracket or added at a later date.

### Brackets are sold in two ways:

**1. Knock-down brackets** requiring assembly in the field. This is the most economical way to purchase a WALKAWAY bracket. All hardware for assembly is included, and assembly should require only a few minutes' time with a Phillips head screwdriver and 7/16" wrench. Knock-down brackets are available in three ways:

- KD-UN Standard coating on clips
- KD-UH High Cycle coating on clips
- SC-50-H Scott Air Pak bracket



KD-(standard) Knockdown Bracket      SC-50-H Scott Knockdown Bracket      UN-Assembled Bracket

Patent Nos. D222,527, D237,357, D235,619, D314,325, D319,778, 3,204,775, 4,848,714 CAN. 40334, UK 972,722

**2. Assembled brackets.** Clips (2) are permanently affixed to the backplate by steel rivets. Footplate is bolted to the universal backplate (positioned as required). Bracket is ready to be mounted and is available in two ways:

- UN Standard coating on clips
- UH High Cycle coating on clips

**Coating Materials:** All bracket components are coated with a specially formulated thermoplastic material. The coating prevents the steel surfaces from rusting and prevents damage to SCBA cylinders. The special coating provides a slippery finish (easier to remove cylinder); is much harder (less tendency to crack or peel off) and is more suitable for use with composite, Kevlar or carbon cylinders. High cycle clips are multi-layer coated and have been tested to over 50,000 cycles (on and off an air cylinder) and are completely non-abrasive to the coating or air cylinder. The High Cycle process was developed by and only available through ZICO.

**What clip size should be specified?** Three sizes of hardened spring steel clips are available. Clips were engineered with unique rounded ends providing a smooth bearing surface to prevent gouging or marring of SCBA cylinders. High Cycle clips have a multi-layer coating for added protection. "N" clips are standard. "H" clips are High Cycle.

- N-5 or H-5** Use with 5.4 to 5.8" diameter 15 to 30 minute cylinders.
- N-6 or H-6** Use with 6.75" diameter 30 to 45 minute cylinders.
- N-7 or H-7** Use with 7.25" diameter 60 minute cylinders.

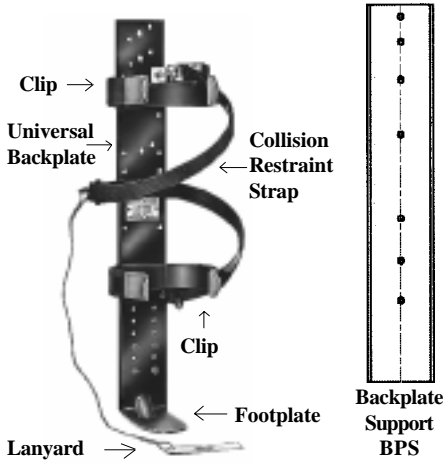
**What footplate styles are available?** We have discontinued the standard NF footplate and now offer two styles.

- NSF** Short footplate with two sets of mounting holes. Provides the necessary range for mounting air cylinders of varying lengths.
- NAF** Angle footplate is designed for use on the QUIC-SWING® SCBA holder. 45° angle cutout allows footplate to clear lip on compartment when "swing down" unit is mounted in high side compartment.

**What style strap is required? NFPA 1901-96, Section 10-1.6** requires a mechanical means of restraining the SCBA when mounted in the crew area on a fire apparatus. Model CRS and CRS/S were specifically designed to meet this standard. See page 1-3 for more details on these straps (strap must be specified in addition to the WALKAWAY bracket). Other straps available:

- TDS** Tie down strap simply goes around bracket and cylinder. Specify in addition to bracket.
- PHS** Positive hold-down strap is ideal for securing brackets in storage cabinets. May be ordered with bracket.

# WALKAWAY® BRACKET ACCESSORIES



**WALKAWAY brackets assure instant access to vital self-contained breathing apparatus.** Brackets consist of a backplate, two spring clips and a footplate. Straps may be attached to the bracket as shown and are now required to meet NFPA requirements. All metal parts are black thermoplastic coated for years of trouble free service.



## FOOTPLATES:

**NSF** short footplates are standard.  
**NAF** footplates are used with QUIC-SWING® devices.

## STRAPS:

**TDS** most economical.  
**PHS** two point strap.

**CRS** three point collision restraint strap is recommended for crew areas.

## EXTRUDED ALUMINUM BACK-PLATE SUPPORT:

**BPS** recommended for mounting between the Walkaway Bracket and mounting surface when full support of the Walkaway Bracket is not possible.

MODEL NO.	PART NO.	DESCRIPTION	WT./@ IN LBS.
UN	1010-010-000	Universal Backplate	2.4
NSF	1010-030-000	Footplate - Short	1.0
NAF	1010-040-000	Footplate - Angle	.8
PHS	1010-116-000	Positive Holding Strap	.4
TDS	1010-110-000	Tie Down Strap	.3
BPS	1010-050-105	Backplate Support	1.5

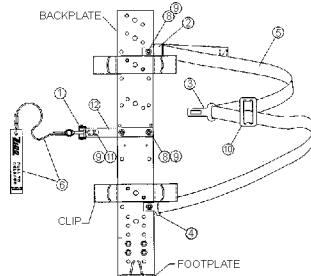
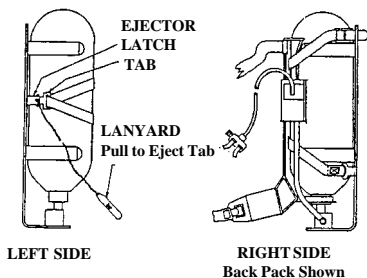
# COLLISION RESTRAINT STRAP



MODEL NO.	PART NO.	DESCRIPTION	WT./@ IN LBS.
CRS	1010-120-000	Collision Restraint Strap	.9
CRS-180	1010-122-000	CRS for Bostrom Seat	.1
CRS-185	1010-124-000	CRS for Seats, Inc. Seat	.1

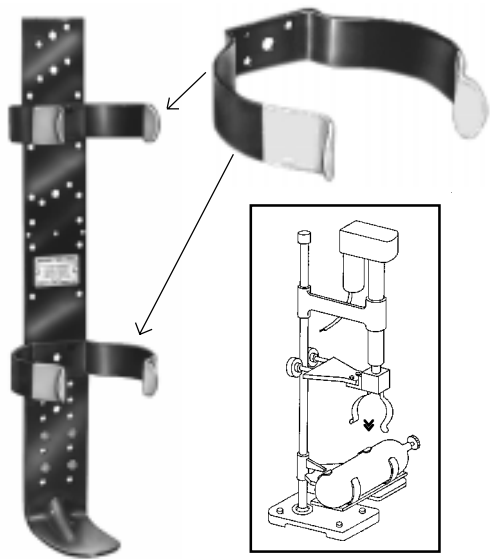
## Prevent injuries before they happen - Restrains SCBA in event of collision

Keep SCBA locked securely in place with the CRS Collision Restraint Strap. It not only meets the requirements of **NFPA 1901-96, Section 10-1.6**, but during third party testing, it held the SCBA in place throughout dynamic crash tests to 20G forces.



- SCBA may be donned while still safely secured.
- Easily installed on any WALKAWAY bracket.
- Easily released...with a tug on the lanyard.
- Not to be used as a passive restraint when used with SCBA harness.

# HIGH CYCLE CLIPS

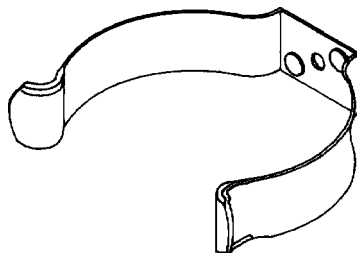


High Cycle clips may be purchased separately to replace the clips on your current WALKAWAY bracket or can be specified on your new brackets.

## Spring Clips will not damage expensive SCBA cylinders

Our exclusive multi-layer coating process enables us to provide you with a spring clip that will be used for years. The revolutionary High Cycle clips have been tested to over 50,000 cycles on our specially designed clip testing machine and still show little or no sign of wear...and more importantly, no damage to the SCBA cylinder.

We have also tested our standard clips and other inferior clips on our testing machine. Due to the poor design of the competition's clip and their inferior coating, they will start to damage an air cylinder in as few as 100 cycles. Can you afford to replace your cylinders every year? If not, specify ZICO clips and WALKAWAY brackets.



Our exclusive NON-MAR clips have rounded edges to protect your cylinders

# CHANGING SPRING CLIPS

Spring clips may be removed from the WALKAWAY® bracket when:

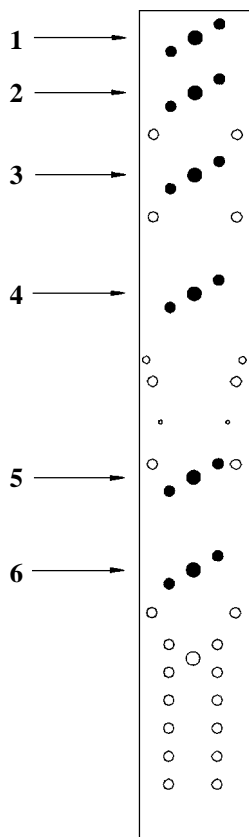
1. Replacing your current SCBA cylinder with either a smaller or larger diameter air cylinder, or
2. When changing clips on which the protective coating has worn through to bare steel.

On Knock-down brackets you simply unbolt the clips and replace them with new ones. Instructions are provided with brackets when converting bracket to SC-50-H style.

With assembled brackets, follow these simple steps:

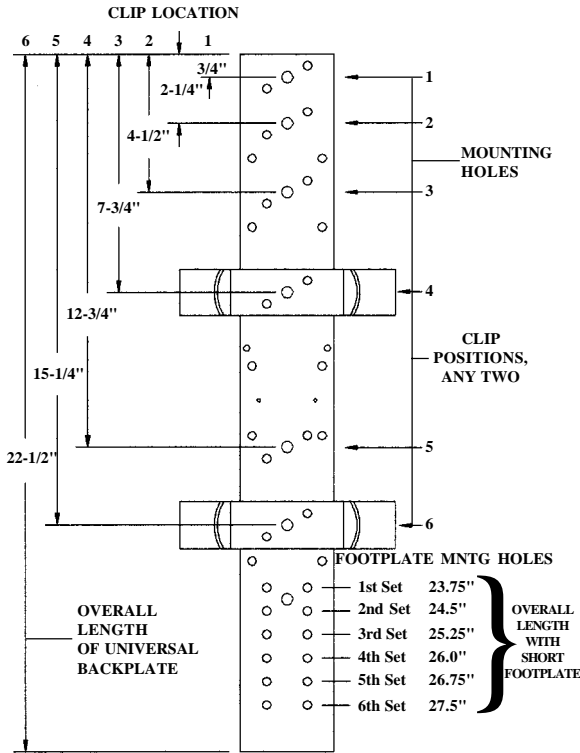
1. Remove WALKAWAY bracket from its mounting surface.
2. From rear of backplate drill out the rivets that hold the existing spring clips.
3. With a sharp knife score coating between clip and backplate.
4. To prevent rusting, paint all bare metal surfaces with Krylon or other fast drying acrylic paint.
5. Attach new clips with hardware that is provided.

**Spring clip locations are noted on the drawing at left.** The bottom clip is always placed at location 6, except on SC-50 bracket, where the bottom clip will be in position 5. Top clip should be placed according to the recommended location as indicated on page 4.



STANDARD CLIP				HIGH CYCLE CLIP		
CYLINDER DIAMETER	MODEL NO.	PART NO.	WT./@ IN LBS.	MODEL NO.	PART NO.	WT./@ IN LBS.
5.3" to 5.6"	N-5	1050-100-000	.4	H-5	1052-100-000	.5
6.7" to 6.9"	N-6	1060-100-000	.6	H-6	1062-100-000	.6
7.1" to 7.4"	N-7	1070-100-000	.6	H-7	1072-100-000	.7

# ORDERING ZICO WALKAWAY® BRACKETS



Specify in following order:

1. Style - UN Standard bracket  
- UH Standard bracket w/high cycle clips  
- KD-UN Knock down bracket  
- KD-UH Knock down brkt w/high cycle clips  
- SC-50-H Scott Air Pak brkt w/high cycle clips
2. Cylinder Diameter - 5 5.4" to 5.8" diameter  
- 6 6.25" diameter  
- 7 7.25" diameter
3. Minutes Duration\*\* - 30 30 or 45 minute  
- 60 60 minute
4. Clip Location - 1 } See chart at left.  
- 2 } Bottom clip always  
- 3 } in location 6, except  
- 4 } with SC-50-H  
- 5 } brackets (location 5)  
- 6 }
5. Footplate - SF Short  
- AF Angle
6. Strap - \*CRS Collision restraint  
- \*CRS/S Collision restraint w/electric wiring  
- PHS Positive holding  
- \*TDS Tie down

\*NOTE: Order separately. Does not come attached to bracket.  
\*\*NOTE: Does not have to be specified on SC-50-H bracket.

UN- 6-30-4-SF-PHS (EXAMPLE)

# RECOMMENDED WALKAWAY® BRACKETS

## CYLINDER DESCRIPTION

	<u>STANDARD BRACKETS</u>	<u>HIGH CYCLE BRACKETS</u>
<b>5.3 to 5.6" cylinder diameters.</b> 30 minute, high pressure (4500 PSI) cylinders, except Scott Air Paks.	UN-5-30-2-SF KD-UN-5-SF	UH-5-30-2-SF KD-UH-5-SF
<b>5.3 to 5.6" cylinder diameters.</b> Scott 30 minute, high pressure (4500 PSI) cylinders.		SC-50-H-5-SF
<b>6.7 to 6.9" cylinder diameters.</b> 30 minute, low pressure (2216 or 3000 PSI) and 45 minute high pressure (4500 PSI) cylinders, except Scott Air Paks*.	UN-6-30-2-SF KD-UN-6-SF	UH-6-30-2-SF KD-UH-6-SF
<b>6.7 to 6.9" cylinder diameters.</b> Scott 30 minute, low pressure (2216 or 3000 PSI) and 45 minute high pressure (4500 PSI) cylinders*.		SC-50-H-6-SF
<b>7.1 to 7.4" cylinder diameters.</b> 60 minute, high pressure (4500 PSI) cylinders.	UN-7-60-2-SF KD-UN-7-SF	UH-7-60-2-SF KD-UH-7-SF

NOTE: Above brackets will work with steel, aluminum, and hoop and full wrap composite fiberglass, Kevlar, and carbon air cylinders. See ZICO catalog for a complete listing of SCBA manufacturers and the recommended WALKAWAY bracket to be used. A universal Cabinet Mounting Bracket (Model CMB) may be used with any SCBA when mounted in a wall cabinet.

\*Scott aluminum cylinder 804101-01, mount in UH-6-30-2-SF bracket. Scott 60 minute cylinders, mount in UH-7-60-2-SF bracket.

# KNOCK-DOWN BRACKET PARTS & ASSEMBLY

There's a KD WALKAWAY bracket kit to fit the SCBA you are now using or intend to use. Choose the spring clips and footplate compatible with your Self Contained Breathing Apparatus from the following list.

**KD bracket kit contains the following:  
(component items are shown on page 2)**

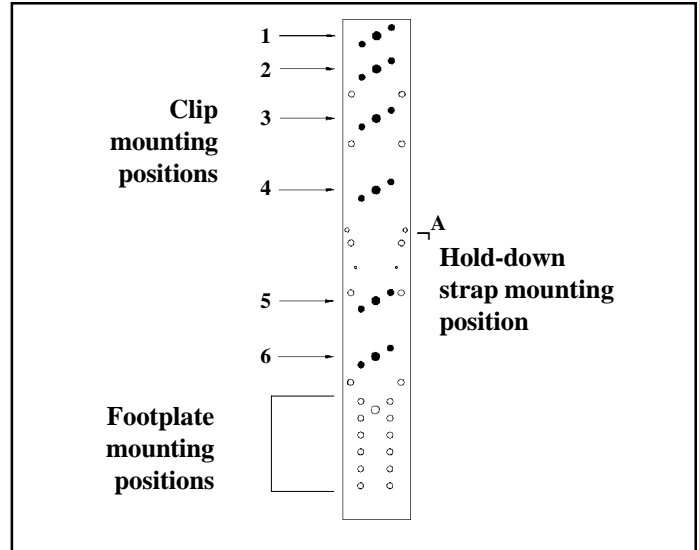
1. Model UN - Universal backplate
2. Spring Clips - Two per model of your choice:
  - a. N-5 or H-5
  - b. N-6 or H-6
  - c. N-7 or H-7
3. Footplate - One per model of your choice (not required if valve assembly or end of cylinder will rest on a flat surface)
  - a. NSF black nylon coated short footplate
  - b. NAF black nylon coated angular footplate - used primarily with QUIC-SWING® unit
4. Hold Down Strap - One per model of your choice (optional - holds straps and regulator securely against cylinder)
  - a. CRS collision restraint strap
  - b. PHS positive holding strap
  - c. TDS tie down strap
5. Fastening screws and lock-nuts for attaching spring clips and footplate to universal backplate.

**Assembly instructions:**

1. Lay the self-contained breathing apparatus (SCBA) unit on a flat surface, floor or table.
2. Lay universal backplate along side of SCBA with six sets of parallel holes at same end as valve assembly on SCBA.
  - If mounting cylinder in inverted position, end of cylinder will be located at same end as parallel holes.
3. Place one spring clip at location "6" (see drawing).
4. Place footplate on universal backplate.

**NOTE:** Short footplate may have to be inverted for some types of SCBA.

- a. Valve assembly should be placed next to footplate; valve will rest upon footplate on final assembly.
- b. Adjust SCBA cylinder so that cylinder will rest fully within the spring clip at location "6".



5. Second clip can now be placed at locations "1", "2", "3" or "4" (see drawing).
  - a. Clip should not interfere with harness assembly on SCBA unit.
  - b. Clip should fully grasp cylinder.
6. Now that the proper clip mounting locations have been selected, proceed with assembly:
  - a. Place flat head screws through backplate (from countersunk side).
  - b. Place spring clips and footplate over screws.
  - c. Start nuts onto screws.
  - d. Tighten with 7/16" wrench and Phillips head screw driver.
  - e. Make sure that screws and nuts do not come into contact with air cylinder.

**NOTE:** Clips are designed for 7/16" clearance between base of clip and the air cylinder.
7. Securing optional Positive Holding Strap onto universal backplate.
  - a. Lay two male tubular rivets on firm flat surface.
  - b. Insert male rivet through hole in clip and dee. Strap will be behind bracket.
  - c. Place rivets through hole set "A" of backplate (see drawing bottom of page 6).
  - d. Place female rivets onto male rivets.
  - e. Strike each sharply with hammer to attach firmly, making sure strap is not under clip and dee to prevent damage to webbing.
8. To mount completed WALKAWAY bracket to mounting surface, see instructions on pages 6, 7 or 8.

# IN-HOUSE MOUNTING INSTRUCTIONS

## On walls, posts or any flat, stable surface

1. Place SCBA (Self Contained Breathing Apparatus unit) into WALKAWAY bracket by snapping cylinder into spring clips. Gauge must rest on footplate of bracket.
  2. Select mounting location - wall, post, etc. Don apparatus and attached bracket. Back up to mounting location and have someone draw outline of bracket on mounting surface. This outline will be used as a guide for final mounting.
- NOTE:** A convenient height for all users is determined by using an average man for this operation.
3. Take off apparatus and remove cylinder from bracket. Using the bracket as a template, place it over the previously drawn outline and mark any 2 holes. See page 4 for hole locations.

- a. A minimum of two 5/16" round head machine screws, nuts and lockwashers should be used for mounting. If bracket will be mounted on wooden beam, two 5/16" lag bolts and lockwashers or #14 wood screws and lockwashers should be used. See drawing and mounting hardware top of page 7.
- b. Mount bracket securely.

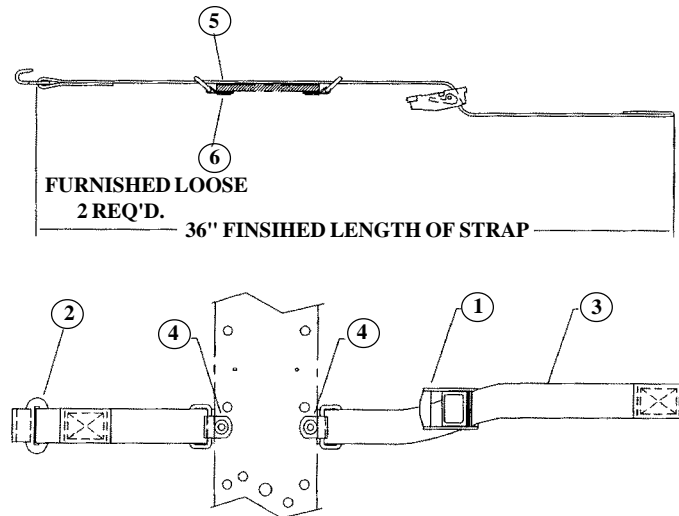
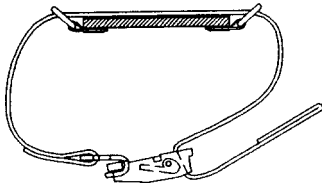
4. Place optional Positive Holding Strap around cylinder and backplate of apparatus and fasten quick release buckle as shown below. Buckle should be located to the side of air cylinder. Pull free end of strap tight.
5. The WALKAWAY bracket is now ready to hold the breathing apparatus for instant access.

## Donning instructions

1. Press release buckle and pull on strap to release keeper.
2. Back up to apparatus and insert arms into harness. Secure the harness as per apparatus instructions.
3. Just walk away from bracket, and you're ready for action.

**To protect your SCBA from dust, tampering or contaminants ask about the ZICO QUIC-PAC® Holders and QUIC-ACCESS® Wall Cabinets.**

## 1010-116-000 POSITIVE HOLDING STRAP



Model PHS strap may be attached to any WALKAWAY bracket. The PHS strap is recommended for use with all WALKAWAY brackets when not mounted in QUIC-PAC Holders or QUIC-ACCESS Cabinets. May also be used on mobile emergency apparatus but model CRS Collision Restraining Strap must be used in crew area on fire apparatus.

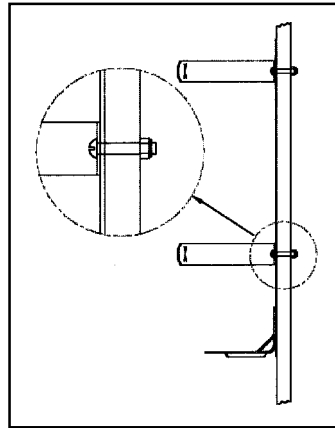
ITEM NO.	PART NO.	NAME	DESCRIPTION	QUANTITY
1		Buckle		1
2		Retainer Clip		1
3		Strap	1" Wide Nyl. Webbing, Blk.	1
4		Clip & Dee	For 1" Nylon Strap	2
5	9060-401101	Fastener - Male	K110 (Male) #22405 SS	2
6	9060-401102	Fastener - Female	K110 (Female) #9972 SS	2

# BRACKET MOUNTING ON MOBILE FIRE APPARATUS

## Mounting in crew area:

When mounting SCBA brackets in the crew area, the model CRS Collision Restraint Strap should be used with the bracket. The bracket with the CRS are designed to withstand a dynamic deceleration of ten (10) gravitational forces for a duration of ten (10) milliseconds.

The surface to which the bracket is mounted should also be capable of withstanding a static force of ten (10) times the weight of the SCBA and bracket. If the bracket is mounted in a jump seat, then the seat assembly should also be capable of withstanding this same static force of ten (10) times the weight of the SCBA and bracket.

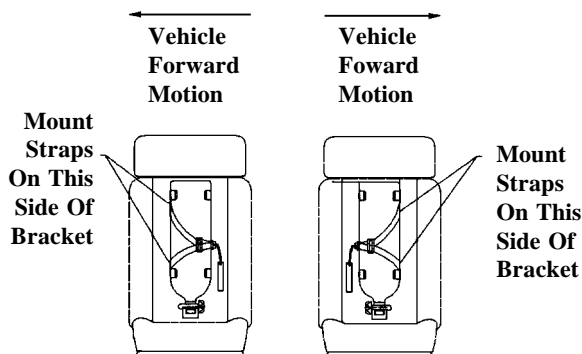
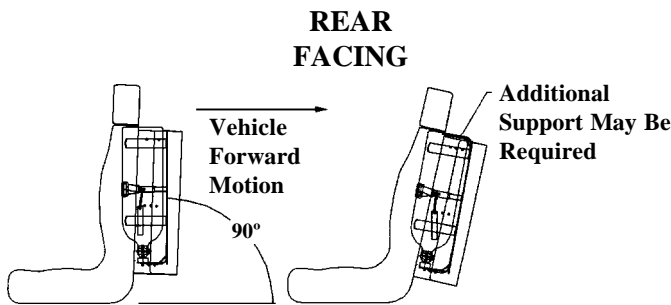
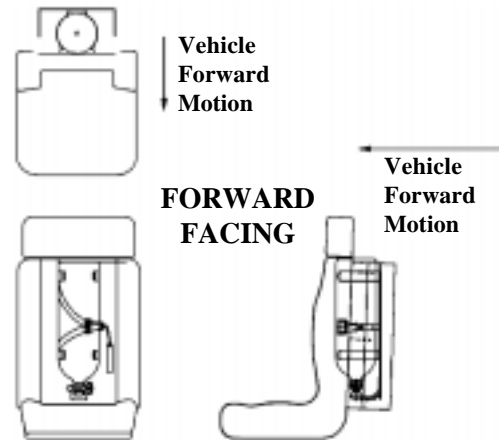


## Mounting hardware:

The bracket should be mounted using two (2) 5/16-18 round head screws, nuts and lock washers (not provided). Refer to page 4 which shows the clip locations on the bracket. The center hole, at each clip location, is made for a 5/16" screw. We suggest the top screw be placed in clip location 1, 2 or 3. The bottom screw should be at clip locations 4 or 5. All mounting bolts and fasteners should be placed with the head in contact with the bracket and the screw portion passing through the bracket and supporting member. Nut and washer should be on the back side of the supporting member.

## Forward or rear facing seats:

When mounted in specially designed SCBA seats, the bracket and CRS will meet the 10G force requirement with the CRS latch mounted on either side of the bracket. The angle between the back of the bracket and the mounting surface for the seat should be 90°. If the angle is less than 90° in rear facing seats, a "stop" may be required at the top of the bracket to prevent the air cylinder from being ejected in the event of a collision. This stop could be a model NSF short footplate bolted to the top of the bracket or a metal device attached to the top of the pan holding the SCBA.



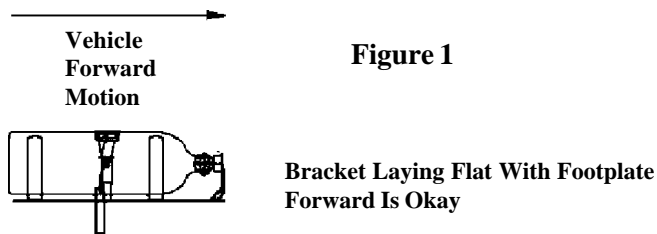
## Side facing seats:

When the bracket and CRS are mounted so that the passenger's side faces towards the front or rear of the apparatus, the CRS latch mechanism must be mounted on the side from which the force is coming.

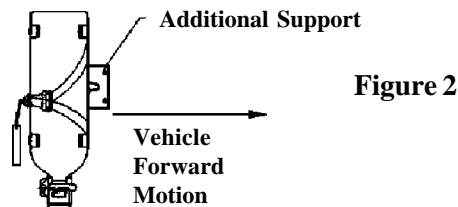
### Mounting outside the crew area:

When SCBA is mounted outside of the crew area, it is not subject to the 10G requirement. However, we recommend the following:

**Figure 1.** Footplate should be mounted at the end towards which force is exerted when mounted on a flat surface.



**Figure 2.** When the bracket is mounted vertically, the CRS latch should be on the side from which the force is applied and an additional stop should be placed against the air cylinder. An NSF footplate could be bolted to the mounting surface next to the cylinder.



## ==== MOUNTING INSTRUCTIONS FOR INVERTED STORAGE ====

Used primarily in "CAMPBELL" style high side compartments on fire apparatus.

**Read mounting instructions carefully before proceeding.**

1. See page 4 "Recommended WALKAWAY brackets" to be sure proper bracket has been ordered.
2. Place WALKAWAY bracket in SCBA compartment so that the base of the bracket rests on the floor of compartment or shelf.
3. Put SCBA unit beside bracket with end of cylinder also resting on floor of compartment or shelf.
  - a. Footplate (model "SF") is not required for inverted storage if compartment floor or shelf is of firm construction. Lower end of backplate may have to be cut off to reduce overall length.
  - b. Our Neoprene Mounting Disc, 1" high (model "CME"), may be used under end of cylinder to prevent abrasions to cylinder end...or you could use a piece of carpeting or any soft material for the cushioning effect.
4. With bracket and SCBA side by side, make sure that both spring clips will be in position to firmly grasp cylinder.
  - a. Base of universal backplate might have to be raised or cut off so that SCBA will fit correctly into bracket.
  - b. Take care that the spring clips do not wrap around or come into contact with SCBA harness assembly.
  - c. Now, with a grease pencil or marker, outline bracket on mounting location.

5. If more than one Self Contained Breathing Apparatus is to be stored in compartment, allow 1" or 2" between SCBA's.

- If our Mask Holders (model "MH-YV") are to be used, allow 9" between SCBA's.

**NOTE:** Make sure that water tank, hose, or other obstructions do not exist behind mounting surface.

6. With all calculations and allowances made, you are now ready to mount the brackets.

7. Place bracket over outline previously made.

- a. Mark any two mounting holes located down center of bracket - seven 5/16" holes have been provided for your convenience and choice.
- b. Remove bracket and drill the two holes (5/16") just marked. If sheet metal or wood screws are to be used for mounting, use a 1/4" drill.
- c. Fasten bracket to mounting surface. Screws are not supplied due to various metals or fiberglass surfaces used on today's apparatus.

**NOTE:** Be sure that cylinder does not come into contact with head of bolt. See drawing and mounting information top of page 7.

8. With bracket securely mounted, you can now snap the SCBA into the WALKAWAY bracket--ready to be used at a moment's notice.

**If you have additional questions or are uncertain about mounting your ZICO bracket, call 1-800-711-3473 for assistance.**



Ziamatic Corp.

www.ZIAMATIC.com

CALL TOLL FREE: 800-711-FIRE

10 West College Avenue, P.O. Box 337, Yardley, PA 19067-8337 • (215) 493-3618 • FAX: (215) 493-1401

\*ZICO is a registered trademark for fire, safety and marine products made by Ziamatic Corp.

Copyright Ziamatic Corp. 9-03