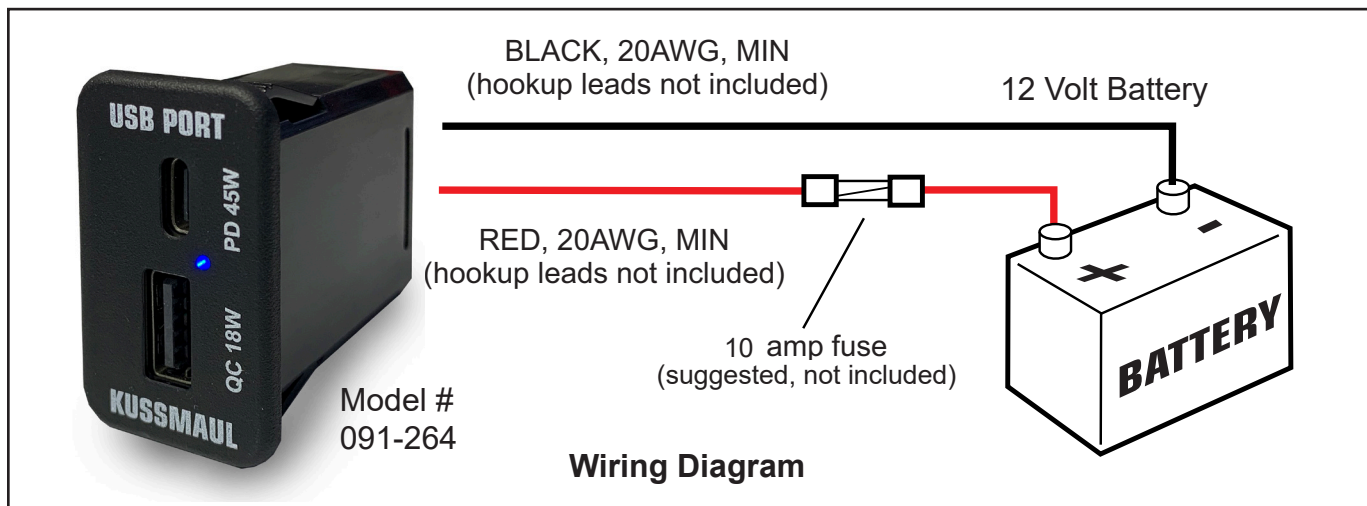


INSTRUCTION MANUAL

USB-C & USB-A DUAL PORT, SVR

63 WATTS TOTAL DUAL USB-C & USB-A CHARGING PORT, 12/24V

The 091-264 is a 63 watt Dual USB-C & USB-A Charging Port designed to fit into a standard 1.45" x 0.83" panel cut out. Connect the (+) terminal to either +12 or +24 volts continuous (battery positive) or switched 12/24 volt power (ignition). Connect the (-) terminal directly to chassis ground or battery negative.



Current Limit Protection - Each output of the USB charger is automatically current limited to approximately 3 Amps during overload and short-circuit conditions. During this condition, the LED will be extinguished. If an overload or fault condition is suspected, immediately disconnect all connected USB devices. The LED will illuminate and the outputs will return to normal operation as soon as the overload or fault condition is corrected.

Thermal Protection - The USB charger is internally protected from thermal overload. The outputs will shut-down and the front panel LED will extinguish if one or both outputs are overloaded. When the device cools to an acceptable temperature, the LED will illuminate and the outputs will return to normal operation.

Under-Voltage Lockout - The USB charger employs an under-voltage lockout feature to protect it from insufficient input voltages. If the input voltage to the USB charger falls below 5 Volts, the charger's output will be shut-down and the input power will need to be cycled in order to reset the fault condition.

USB Output Ports

USB-C:

Type-C Port (45 Watts Max)
Power Delivery 3.0
- Supported PDOs
5V at 3 Amps (15W)
9V at 3 Amps (27W)
12V at 3 Amps (36W)
15V at 3 Amps (45W)
20V at 2.25 Amps (45W)
PPS - 3.3V-21V at 2A (42W)
Quick Charge 2.0, 3.0, 4.0
Apple 2.4A - 5V at 2.4A (12W)
USB-DCP - 5V at 1.5A (7.5W)

USB-A:

Type - A Port (18 Watts Max)
Quick Charge 3 - 3.6V to 12V (up to 2.5A)
Quick Charge 2.0 - 5V, 9V, 12V (up to 2.5A)
Samsung AFC - 5V, 9V, 12V (up to 2.5A)
Apple 2.4A - 5V at 2.4A (12W)
USB-DCP - 5V at 1.5A (7.5W)

Specifications

Input Voltage: 10 to 30 VDC
(10 to 32 VDC absolute min./max.)
Input Current: 6 Amps max at 12.0 VDC
(with 63 Watt Load)
Output Voltage: USB-A 3.6 to 12 VDC
USB-C 3.3 to 21VDC
Output Current: 5.5 Amps (maximum)
Indicator: Device Powered Blue LED
Ambient Temp: (12v) -40C to 80C
(24v) -40C to 70C
Warranty: 3 years

170 Cherry Avenue
West Sayville, NY 11796
www.kussmaul.com

File: IM_091-264
Rev:A
Revised By: THN
Date: 08-24-2020



Ph: 800-346-0857
Fax: 631-567-5826
sales@kussmaul.com