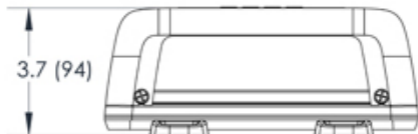
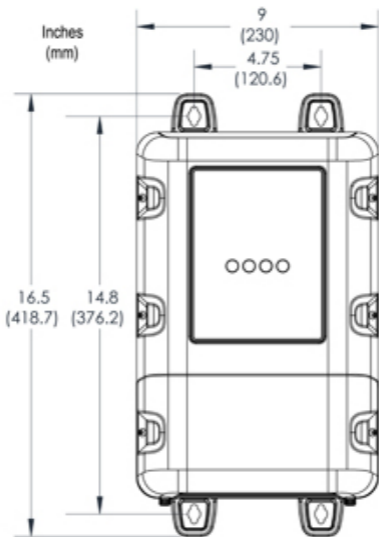


"Chief Series" Auto Charge 4012 and 6012



Outline Drawing for 4012 PN: 091-266-12-40 & 6012 PN: 091-266-12-60